



# TIER PERMITTING SUBMITTAL ON CERS

## Malay Trivedi, LACoFD, HMS III

TU-B1

Tuesday 2/27/24



26th California Unified Program  
Annual Training Conference  
February 26-29, 2024

## About myself

Malay Trivedi

Los Angeles County Fire

HMS III

- 25 years in Environmental and Public Health Sector
  - Los Angeles County-Environmental Health 15yrs
    - » Conducting inspection of restaurant, housing, recreational waters, food manufacturing establishments
    - » Plan Check, strike team,
  - Los Angeles County-Fire Dept-10yrs
    - » CUPA WORLD- HM, HW, TP, APSA



## About myself

- Last 3 years, I was tasked with reviewing Tier Permitting(TP) submittal on California Environmental Reporting System (CERS)
- HMBP & TP

Stepping up to the plate...



# REVIEWING TIERED PERMITTING SUBMITTALS ON CERS

## What this presentation will NOT cover:

- This is NOT a detail presentation on how to do a TP inspection in the field. This presentation will NOT cover type of treatment, recycling, exclusion, is it a waste, point of generation, etc.



# REVIEWING TIERED PERMITTING SUBMITTALS ON CERS

## What this presentation will cover:

This is an introductory course walking you through TP submission on CERS.

1. TP Overview-Basic
2. **TP CERS Submittal-In Detail**
3. Financial Assurance-Basic

## Objective of the course:

To submit a successful TP element on CERS.



## Poll Question 1

How many of you are:

- A. Regulators-interested in learning to **review** TP submittals?
- B. Operators-interested in learning to **submit** TP submittals?



## Poll Question 2

How many of you have submitted or reviewed hazardous material business plan submittals on CERS?

- A. Yes
- B. No



## Poll Question 3

How many of you have submitted or reviewed Tier Permitting submittal on CERS?

- A. Yes
- B. No





## Poll Question 4

If I have a PBR (highest tier) am I able to treat any type of hazardous waste?

- a. Yes
- b. No
- c. Maybe
- d. I don't know



## Answer

1. No; there are specific waste stream and specific treatment technology used to treat waste.



# SECTION 1

## TP Overview

1. TP-PBR Eligibility
2. CUPA Tiers



## TP Overview

### Hazardous Waste (HW) Facility Permit

- Any person who stores, treats or dispose of HW (HSC, Div. 20, Chapter 6.5) needs Hazardous Waste Facility Permit
- 5 Tiers
  - Full permit
  - Standardized Permit
  - **Permit By Rule(PBR)**
  - **Conditional Authorization (CA)**
  - **Conditional Exemption (CE)**

} DTSC

} CUPA



## TP Overview

### Eligibility of TP-PBR

#### 1<sup>st</sup> .....

- The waste is not regulated under the federal Resource Conservation and Recovery Act of 1976
- The waste is not reactive -*section 66261.23*
- The waste is not extremely hazardous -*66261.107 or 66261.110*
- All treatment is conducted in tanks or containers
- All discharges to air comply with applicable federal, state and local air pollution control statutes and regulations



## TP Overview

### Eligibility of TP-PBR

2<sup>nd</sup> ...

1. The waste to be treated is a hazardous waste only because it is **specific type of waste.**

AND

2. It must also use **specific type of treatment technology.**



## TP Overview

# TP PBR Eligibility-Only following HW can be treated

(67450.11)

- ▶ Aqueous wastes containing hexavalent chromium
  - ▶ Aqueous wastes containing metals
  - ▶ Aqueous wastes with total organic carbon less than ten percent
  - ▶ Sludges, dusts, solid metal objects and metal workings which contain or are contaminated with metals
  - ▶ Wastes listed in section 66261.120
  - ▶ Wastes, except asbestos, which have been classified by the Department as special wastes pursuant to section 66261.124
  - ▶ Inorganic acid or alkaline wastes
  - ▶ Soils contaminated with metals
- Used oil as defined in Health and Safety Code section 25250.1
  - Containers of 110 gallons or less capacity which are not constructed of wood, paper, cardboard, fabric or any other similar absorptive material, which have been emptied
  - Multi-component resins
  - A waste stream technology combination certified by the Department pursuant to Section 25200.1.5 of the Health and Safety Code
  - Cyanide-containing wastes

**REMEMBER-THAT THESE  
WASTE MUST ALSO ONLY USE  
TREATMENT TECHNOLOGIES  
MENTIONED IN 67450.11**



26th California Unified Program  
Annual Training Conference  
February 26-29, 2024

## TP Overview

# TP PBR Eligibility

## HW Treated & Treatment Technology

*(67450.11)*

HW TO BE TREATED →

▶ **Aqueous wastes containing hexavalent chromium-**

Treatment→

- ▶ (A) Reduction of hexavalent chromium to trivalent chromium with sodium bisulfite, sodium metabisulfite, sodium thiosulfate, ferrous sulfate, ferrous sulfide or sulfur dioxide, provided both pH and addition of the reducing agent are automatically controlled.



26th California Unified Program  
Annual Training Conference  
February 26-29, 2024



## TP Overview

# TP PBR Eligibility- HW Treated & Treatment Technology (67450.11)

HW TO BE TREATED → Aqueous wastes containing metals

### TREATMENT TECHNOLOGY →

- ▶ (A) pH adjustment or neutralization.
- ▶ (B) Precipitation or crystallization.
- ▶ (C) Phase separation by filtration, centrifugation or gravity settling.
- ▶ (D) Ion exchange.
- ▶ (E) Reverse osmosis.
- ▶ (F) Metallic replacement.
- ▶ (G) Plating the metal onto an electrode.
- ▶ (H) Electrodialysis.
- ▶ (I) Electrowinning or electrolytic recovery.
- ▶ (J) Chemical stabilization using silicates and/or cementitious types of reactions.
- ▶ (K) Evaporation.
- ▶ (L) Adsorption.



# TP PBR Eligibility- HW Treated & Treatment Technology (67450.11)

HW TO BE TREATED →

▶ **Aqueous wastes with total organic carbon less than ten percent**

Treatment→

- ▶ (A) Phase separation by filtration, centrifugation or gravity settling, but excluding super critical fluid extraction.
- ▶ (B) Adsorption.
- ▶ (C) Distillation.
- ▶ (D) Biological processes conducted in tanks or containers and utilizing naturally occurring microorganisms.
- ▶ (E) Photodegradation using ultraviolet light, with or without the addition of hydrogen peroxide or ozone, provided the treatment is conducted in an enclosed system:
- ▶ (F) Air stripping or steam stripping



# TP PBR Eligibility- HW Treated & Treatment Technology (67450.11)

HW TO BE TREATED →

- ▶ **Sludges, dusts, solid metal objects and metal workings which contain or are contaminated with metals**

Treatment →

- ▶ (A) Chemical stabilization using silicates and/or cementitious types of reactions.
- ▶ (B) Physical processes which change only the physical properties of the waste such as grinding, shredding, crushing, or compacting.
- ▶ (C) Drying to remove water.
- ▶ (D) Separation based on differences in physical properties such as size, magnetism or density.



# TP PBR Eligibility- HW Treated & Treatment Technology (67450.11)

HW TO BE TREATED →

▶ **Alum, gypsum, lime, sulfur or phosphate sludges**

Treatment →

- ▶ (A) Chemical stabilization using silicates and/or cementitious types of reactions.
- ▶ (B) Drying to remove water.
- ▶ (C) Phase separation by filtration, centrifugation or gravity settling



## TP Overview

# TP PBR Eligibility- HW Treated & Treatment Technology

*(67450.11)*

HW TO BE TREATED →

▶ **Wastes listed in section 66261.120**

▶ Treatment →

- ▶ (A) Chemical stabilization using silicates and/or cementitious types of reactions.
- ▶ (B) Drying to remove water.
- ▶ (C) Phase separation by filtration, centrifugation or gravity settling.
- ▶ (D) Screening to separate components based on size.
- ▶ (E) Separation based on differences in physical properties such as size, magnetism or density.



# TP PBR Eligibility- HW Treated & Treatment Technology

*(67450.11)*

HW TO BE TREATED →

- ▶ **Wastes, except asbestos, which have been classified by the Department as special wastes pursuant to section 66261.124,**
- ▶ Treatment →
  - ▶ (A) Chemical stabilization using silicates and/or cementitious types of reactions.
  - ▶ (B) Drying to remove water.
  - ▶ (C) Phase separation by filtration, centrifugation or gravity settling.
  - ▶ (D) Magnetic separation.



## TP Overview

# TP PBR Eligibility- HW Treated & Treatment Technology (67450.11)

HW TO BE TREATED →

- ▶ **Inorganic acid or alkaline wastes**
- ▶ Treatment →
  - ▶ (A) pH adjustment or neutralization.



26th California Unified Program  
Annual Training Conference  
February 26-29, 2024

## TP Overview

# TP PBR Eligibility- HW Treated & Treatment Technology (67450.11)

HW TO BE TREATED →

- ▶ **Soils contaminated with metals**

- ▶ Treatment →

- ▶ (A) Chemical stabilization using silicates and/or cementitious types of reactions.
- ▶ (B) Screening to separate components based on size.
- ▶ (C) Magnetic separation.



26th California Unified Program  
Annual Training Conference  
February 26-29, 2024



## TP Overview

# TP PBR Eligibility- HW Treated & Treatment Technology

(67450.11)

HW TO BE TREATED →

- ▶ **Used oil as defined in Health and Safety Code section 25250.1, unrefined oil waste, mixed oil, oil mixed with water and oil/water separation sludges**
- ▶ Treatment →
  - ▶ (A) Phase separation by filtration, centrifugation or gravity settling, but excluding super critical fluid extraction. (B) Distillation. (C) Neutralization. (D) Separation based on differences in physical properties such as size, magnetism or density. (E) Reverse osmosis. (F) Biological processes conducted in tanks or containers and utilizing naturally occurring microorganisms



# TP PBR Eligibility- HW Treated & Treatment Technology (67450.11)

HW TO BE TREATED →

- ▶ **Multi-component resins may be treated by the following process**
- ▶ Treatment →
  - ▶ (A) Mixing the resin components in accordance with the manufacturer's instructions.



# TP PBR Eligibility- HW Treated & Treatment Technology (67450.11)

HW TO BE TREATED →

- ▶ **A waste stream technology combination certified by the Department pursuant to Section 25200.1.5 of the Health and Safety Code as appropriate for authorization under Permit by Rule.**
- ▶ 25200.1.5 The department may establish an administrative process to certify hazardous waste environmental technologies that it determines will not pose a significant potential hazard to human health and safety or to the environment if they are used under specified operating conditions.



# TP PBR Eligibility- HW Treated & Treatment Technology

*(67450.11)*

▶ **Cyanide-containing wastes**

- ▶ (A) aqueous wastes generated by rinsing workpieces and fixtures holding workpieces that were processed in cyanide-containing solutions;
- ▶ (B) aqueous wastes generated by reverse osmosis or the regeneration of demineralizer (ion exchange) ....
- ▶ (C) aqueous wastes generated by rinsing containers, pumps, hoses, and other equipment used to transfer cyanide solutions onsite;



# TP PBR Eligibility- HW Treated & Treatment Technology

*(67450.11)*

▶ Cyanide-containing wastes

- ▶ (D) aqueous wastes generated by the following onsite recycling activities:
  - ▶ 1. rinsing spent anode bags prior to onsite reuse; or
  - ▶ 2. rinsing empty containers prior to onsite reuse;
- ▶ (E) aqueous wastes generated by onsite laboratories ...
- ▶ (F) spent process solutions containing recoverable amounts of metal that may be treated by electrowinning (paraphrase see 67450.11(d)(6))
- ▶ (G) Spent cyanide-containing process solutions may be treated by slow addition to the aqueous waste for the purpose of reducing cyanide processing hazards (paraphrase see 67450.11 (d)(7))

# TP PBR Eligibility- HW Treated & Treatment Technology

(67450.11)

APPROVED TREATMENT →

- ▶ **Cyanide-containing wastes may be treated by-**
  - ▶ **(A) oxidation by addition of hypochlorite;**
  - ▶ **(B) oxidation by addition of peroxide or ozone, with or without the use of ultraviolet light;**
  - ▶ **(C) alkaline chlorination;**
  - ▶ **(D) electrochemical oxidation;**
  - ▶ **(E) ion exchange; or**
  - ▶ **(F) reverse osmosis.**



## TP Overview

What If I Am NOT treating one of the above waste, my HW is not in a tank/container, my waste is RCRA, Reactive, or Extremely hazardous?

You may not be eligible for PBR and may need to contact DTSC

1. Full permit
2. Standardized Permit



## I qualify for PBR, but what's the difference between...

- Permit By Rule (PBR)  
OR
- Conditional Authorization (CA)  
OR
- Conditionally Exempt (CE)

## Why does it matter if I'm ONLY submitting in CERS?

- BECAUSE.....There are different submittal requirements for PBR/CA/CE





## TP Overview

### To Find Right Tier; You can read:

- For PBR: California Code of Regulation, Title 22, division 5 67450.11 (which is what we just reviewed)
- For CA; CE: California Health & Safety Code, division 20, Chapter 6.5
  - 25200.3(a) [CA]
  - 25201.5(a) [CE]

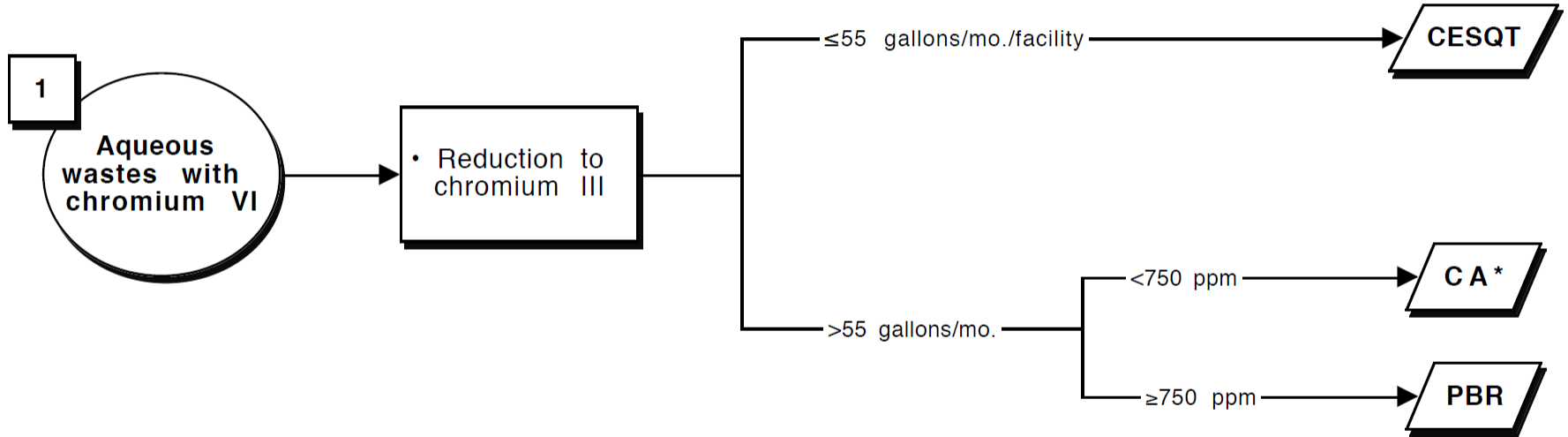
[OR...Follow DTSC flow chart?](#)





# Onsite Tiered Permitting – Flowchart

(For non-RCRA or RCRA exempt hazardous waste facilities conducting onsite treatment.)



**CESQT – Conditionally Exempt Small Quantity Treatment**

**(Health and Safety Code (HSC §25201.5(a))**

**CESW – Conditionally Exempt Specified Wastestream (HSC §25201.5(c))**

**CEL – Conditionally Exempt-Limited (HSC §25201.14)**

# To Determine Your Tier-Break it up into 4 invisible columns

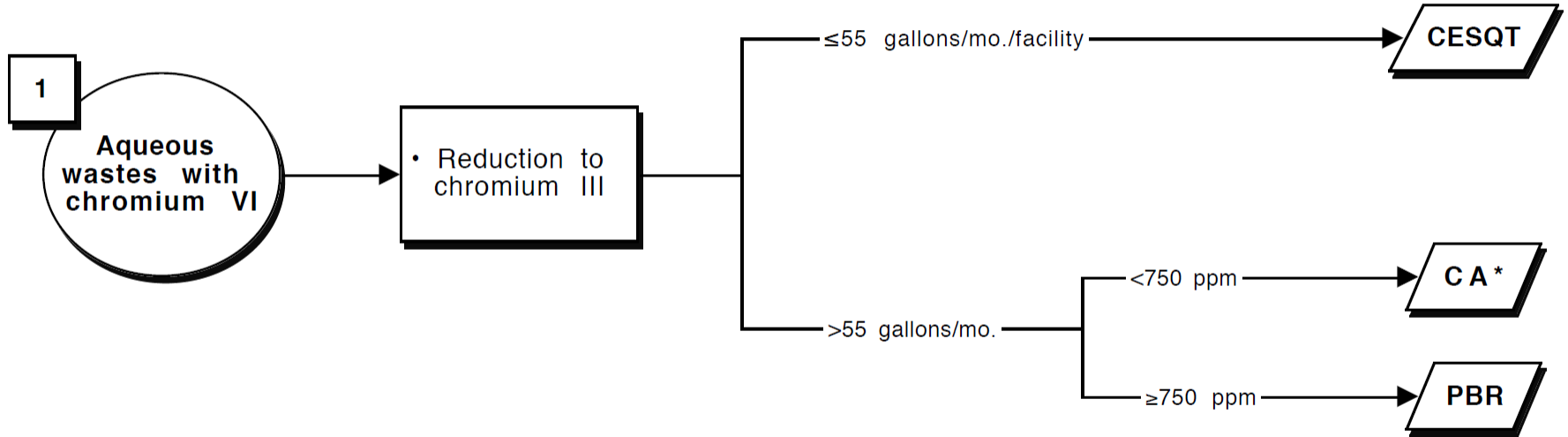
→ DETERMINE YOUR TIER

1. TYPE OF WASTE BEING TREATED
2. TECHNOLOGY BEING USED TO TREAT THAT WASTE
3. VOLUME/QUANTITY OF WASTE BEING TREATED PER MONTH/PER FACILITY
4. CONCENTRATION OF WASTE BEING TREATED



# Onsite Tiered Permitting – Flowchart

(For non-RCRA or RCRA exempt hazardous waste facilities conducting onsite treatment.)

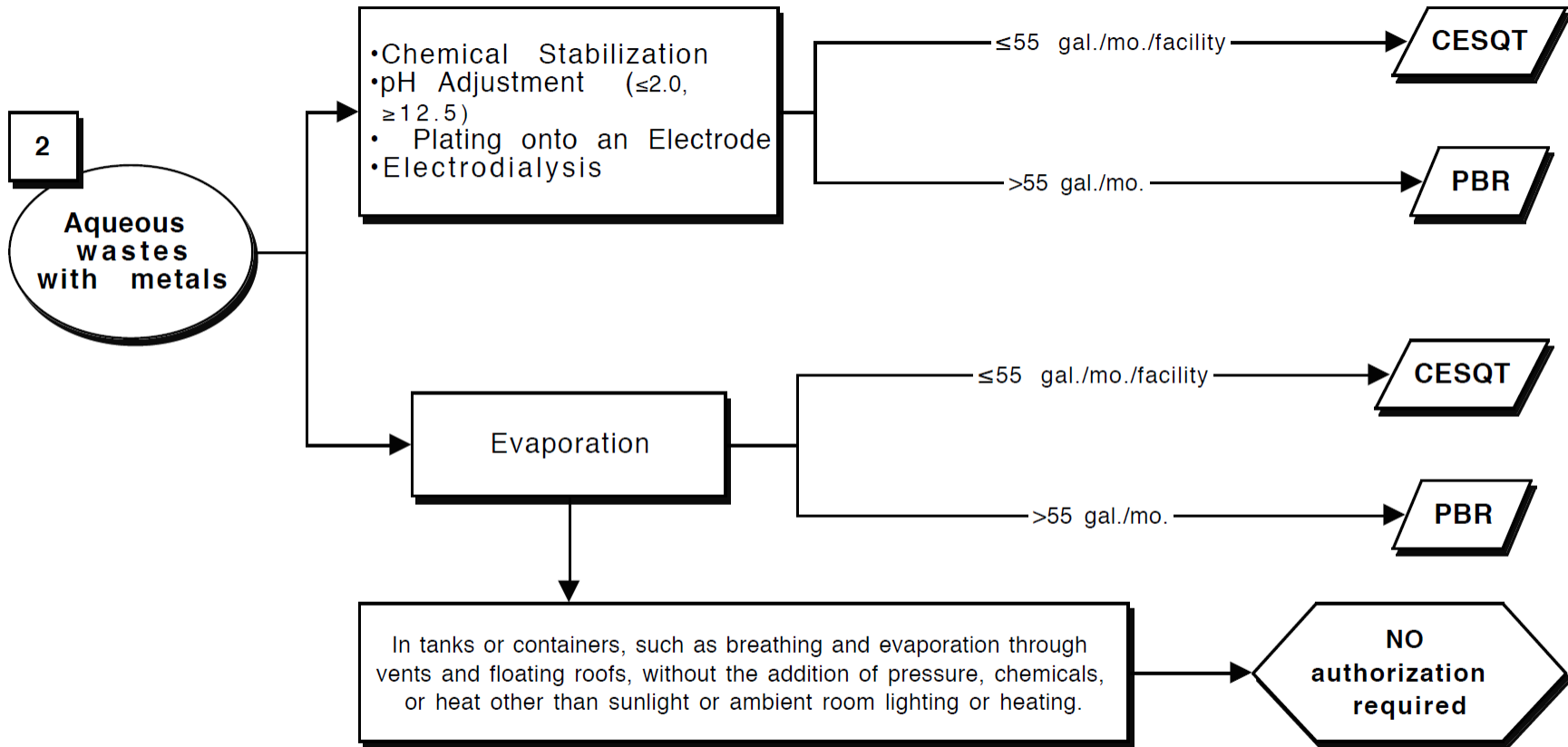


**CESQT – Conditionally Exempt Small Quantity Treatment**

**(Health and Safety Code (HSC §25201.5(a))**

**CESW – Conditionally Exempt Specified Wastestream (HSC §25201.5(c))**

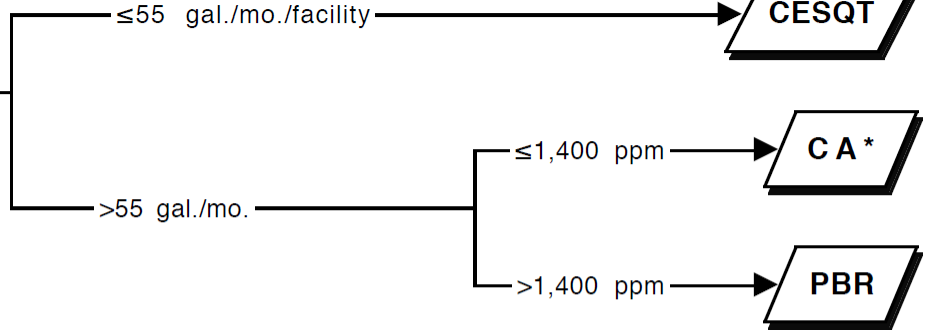
**CEL – Conditionally Exempt-Limited (HSC §25201.14)**



2

Aqueous wastes with metals

• Ion Exchange  
Adsorption  
• pH Adjustment  
(  $\geq 2$ ,  $\leq 12.5$ )  
• Electrowinning  
• Metallic Replacement  
• Precipitation or  
Crystallization



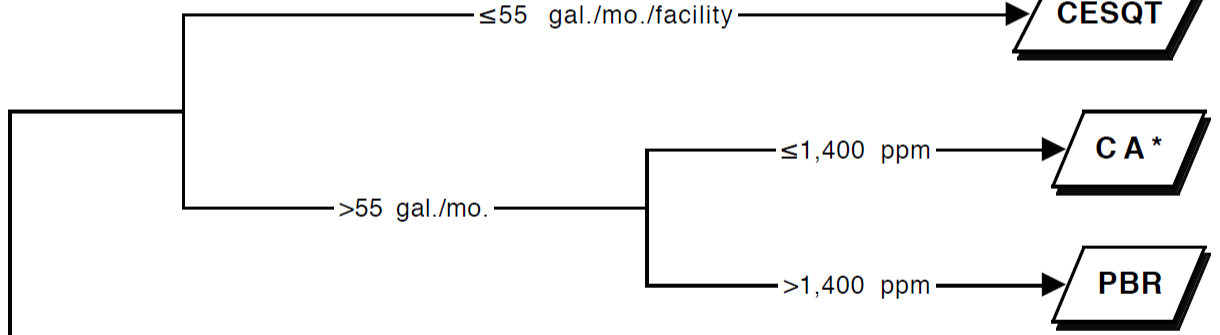
• Phase Separation

Only if aqueous waste  
resulting from gravity  
settling is non-hazardous

CESW

During storage or accumulation in tanks or  
containers only if, the separation is unaided by the

NO  
authorization



# BREAK TIME!

## (3 mins)



26th California Unified Program  
Annual Training Conference  
February 26-29, 2024

## Section 2

# TIER PERMITTING SUBMITTAL ON CERS

YES, I AM ELIGIBLE FOR PBR SUBMITTAL ON CERS...

Now you must request authorization from CUPA to treat  
HW under PBR





## Poll Question 1

When do you have to submit TP submittal?

- A. Initially before you begin operation & when there is a change in your operation.
- B. Initially and annually for PBR and CA.
- C. Annually for PBR/CA/CE.
- D. Initially and annually for PBR only.



# 4 Main Types of TP Submittal

- Requirement vary based on:
  - Initial PBR (we will cover)
  - Annual PBR
  - Initial CA\*
  - Initial CE\*

\*Annual submission is not required



## TIER PERMITTING SUBMITTAL ON CERS

- Onsite Hazardous Waste Treatment Notification-Unit Page [67450.2(b)(3)(G)]
  - FTU serial number
  - Description of treatment process(es)
  - Quantity of influent waste
  - Quantity and disposition of treatment effluent and residuals
  - Description of treatment process operation (i.e. continuous, batch, intermittent)
  - Hours of operation
  - Identification of whether the unit is a tank or container
  - Basis for determining that a hazardous waste facility permit is not required



## TIER PERMITTING SUBMITTAL ON CERS

- Treatment facility information [67450.2(b)(3)(B)]
- Prior enforcement history [67450.2(b)(3)(F)]
- Property owner notification [67450.2(b)(3)(c)]
- Tank systems [66265.191(a)/192(a)]
- Local agency notification [67450.2(b)(3)(A)]
  
- Financial assurance certification per unit [67450.2(b)(3)(D) 67450.13]
- Closure cost estimate per unit [67450.13(b)(1)(A)]
- Name and location of financial institution [67450.13(b)(1)(D)]



## TIER PERMITTING SUBMITTAL ON CERS

We will meet those requirement by submitting...

1. Business owner page
2. Business activity page
3. Tier Permitting Facility page
4. Onsite Hazardous Waste Treatment Notification page (PBR)  
Plot Plan, Prior Enforcement, Tank Container Certs, Agency notification,  
Property owner notification



## TIER PERMITTING SUBMITTAL ON CERS

### Business owner page

Initial Notification of Intent to operate shall contain:

- Name
- Mailing address
- Telephone number of the owner and operator

[67450.2(b)(1)(A)]



# INITIAL PBR NOTIFICATION REQUIREMENTS

## Annual HMBP Certification (AB 1429)

This feature allows a business owner/operator to annually certify that the information in their last HMBP submittal in CERS is complete, accurate, and complies with EPCRA, if applicable. This option may only be used for facilities that meet the eligibility requirements for annual certification, and that are not subject to EPCRA reporting or APSA requirements. Please click [here](#) to review eligibility requirements. **It is strongly advised that you carefully review your last HMBP submittal for accuracy before certifying.**

Certify

GO to → Business Owner page

## Facility Information

DRAFT Jan. 17, 2024

Submit

[Business Activities](#)

[Business Owner/Operator Identification](#)

Ready to Submit with warnings

Edit

Ready to Submit

Edit

[Discard Draft Submittal](#)

[Miscellaneous State-Required Documents](#)

[Add Comment To Regulator](#)

## Hazardous Materials Inventory

No Previous Submittals

Start

Not Applicable

## Emergency Response and Training Plans

No Previous Submittals

Start

Not Applicable

## Tiered Permitting

DRAFT Jan. 19, 2024

Submit

[Tiered Permitting: Facility](#)

Ready to Submit

Edit

Discard

**Units** [Add Unit](#) Not required for Conditionally Exempt Commercial Laundry Facilities (CE-CL)

[Tiered Permitting: Unit PBR - Metal Precipitation \(ID: 001\)](#)

Ready to Submit

Edit

Discard

[Tiered Permitting: Unit CA - CA Unit \(ID: 002\)](#)

Review Needed

Edit

Discard

[Tiered Permitting: Plot Plan/Map](#)

New

[Tiered Permitting Unit: Prior Enforcement History](#)

New

[Tiered Permitting Unit: Tank and Container Certification](#)

New

Edit

Cancel

Site Address

TP REVIEW TEST ACCOUNT  
1333 Bayshore Hwy  
Burlingame, CA 94010

Identification

TP REVIEW TEST ACCOUNT

Operator Phone Business Phone Business Fax  
(714) 555-5555 (714) 555-5555 () -

Beginning Date Ending Date  
1/17/2024 1/16/2025

Dun & Bradstreet SIC Code Primary NAICS  
- - -

Facility/Site Mailing Address

1333 BAYSHORE HWY  
BURLINGAME, CA 94010

Owner

TP REVIEW TEST ACCOUNT INC

Phone  
(714) 555-5555

Mailing Address  
1333 BAYSHORE HWY  
Burlingame, CA 94010

Billing Contact

MALAY TRIVEDI  
Phone  
(714) 555-5555  
[MALAY.TRIVEDI@FIRE.LACOUNTY.GOV](mailto:MALAY.TRIVEDI@FIRE.LACOUNTY.GOV)  
Mailing Address  
1333 Bayshore Highway  
Burlingame, CA 94010

Primary Emergency Contact

John Doe  
Title  
President  
Business Phone 24-Hour Phone Pager Number  
(714) 555-5555 (714) 555-5555 -

Secondary Emergency Contact

Jane Doe  
Title  
Vice President  
Business Phone 24-Hour Phone Pager Number  
(714) 555-5555 () -

Environmental Contact

Joe Doe  
(714) 555-5555  
[MALAY.TRIVEDI@FIRE.LACOUNTY.GOV](mailto:MALAY.TRIVEDI@FIRE.LACOUNTY.GOV)  
Mailing Address  
1333 Bayshore Highway  
Burlingame, CA 94010

Initial Notification of Intent to operate shall contain

- Name,
- mailing address, and
- telephone number of the owner and operator

[67450.2(b)(1)(A)]

Found in Business Owner Page



## TIER PERMITTING SUBMITTAL CONCERS

### Business Activity Page

Initial Notification of Intent to operate shall contain:

- Facility name and address
- Identification number

[67450.2(b)(1)(B)]



## Annual HMBP Certification (AB 1429)

This feature allows a business owner/operator to annually certify that the information in their last HMBP submittal in CERS is complete, accurate, and complies with EPCRA, if applicable. This option may only be used for facilities that meet the eligibility requirements for annual certification, and that are not subject to EPCRA reporting or APSA requirements. Please click [here](#) to review eligibility requirements. **It is strongly advised that you carefully review your last HMBP submittal for accuracy before certifying.**

Certify

### Facility Information

DRAFT Jan. 17, 2024

Submit

Business Activities

Ready to Submit with warnings

Edit

Business Owner/Operator Identification

Ready to Submit

Edit

Discard Draft Submittal

Miscellaneous State-Required Documents

Add Comment To Regulator

### Hazardous Materials Inventory

No Previous Submittals

Start

Not Applicable

### Emergency Response and Training Plans

No Previous Submittals

Start

Not Applicable

### Tiered Permitting

DRAFT Jan. 19, 2024

Submit

Tiered Permitting: Facility

Ready to Submit

Edit

Discard

Units Add Unit Not required for Conditionally Exempt Commercial Laundry Facilities (CE-CL)

Tiered Permitting: Unit PBR - Metal Precipitation (ID: 001)

Ready to Submit

Edit

Discard

Tiered Permitting: Unit CA - CA Unit (ID: 002)

Review Needed

Edit

Discard

Tiered Permitting: Plot Plan/Map

New

Tiered Permitting Unit: Prior Enforcement History

New

Tiered Permitting Unit: Tank and Container Certification

New

GO TO → Business Activity Page-

Initial Notification of Intent to operate shall contain:

- Facility name and address
  - Identification number
- [67450.2(b)(1)(B)]

Business activity page-

# Submittal Guidance

All (2)	Required (0)	Warning (2)	Advisory (0)
---------	--------------	-------------	--------------

Warning guidance let you know of issues that probably apply to you, but are not required to resolve before submitting the Facility Information submittal element.

No Federal or State EPA ID is on file in CERS for the Hazardous Waste Generator's facility (CERS ID: [10187963]). Either a Federal EPA ID (if monthly RCRA waste generated exceeds threshold) or State EPA ID should be submitted in the Facility Information submittal element for all Hazardous Waste Generators.

The EPA ID number is not valid for the Facility name and location provided. Please validate the EPA ID on your Business Activities form

Save Cancel

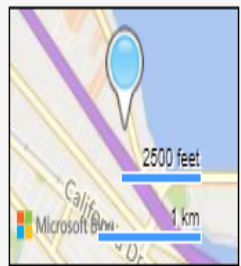
## Site Identification

Facility Name   
TP REVIEW TEST ACCOUNT

CERSID  
10187963

Business Site Address   
1333 Bayshore Hwy  
Burlingame, CA 94010  
County: San Mateo

EPA ID Number   
CAL000190540



## Hazardous Materials

## Business activity page-

Initial Notification of Intent to operate shall contain:

- Facility name and address
- Identification number

[67450.2(b)(1)(B)]

## TIER PERMITTING SUBMITTAL ONCERS

1. ~~Business owner page~~
2. ~~Business activity page~~
3. Tier Permitting Facility page
4. Onsite Hazardous Waste Treatment Notification page (PBR)



## Site Identification

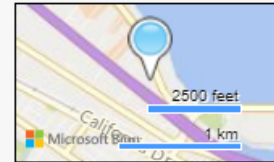
Facility Name  
TP REVIEW TEST ACCOUNT

Business Site Address  
1333 Bayshore Hwy  
Burlingame, CA 94010

County: San Mateo

CERS ID  
10187963

EPA ID Number  
CAL000190540



Go back to  
business  
activity  
page and

## Hazardous Materials

Does your facility have on site (for any purpose) at any one time, hazardous materials at or above 55 gallons for liquids, 500 pounds for solids, or 200 cubic feet for compressed gases (include liquids in ASTs and USTs); or is regulated under more restrictive local inventory reporting requirements (shown below if present); or the applicable Federal threshold quantity for an extremely hazardous substance specified in 40 CFR Part 355, Appendix A or B; or handle radiological materials in quantities for which an emergency plan is required pursuant to 10 CFR Parts 30, 40 or 70? [?](#)

Yes

Mark "YES"  
to:

## Underground Storage Tank(s) (UST)

Does your facility own or operate underground storage tanks? [?](#)

No

1. Facility  
generates  
HW.

## Hazardous Waste

Does your Facility...

Does your facility generate Hazardous Waste? [?](#)

Yes

If yes, an EPA Identification Number (EPA ID) is required.

Does your facility treat hazardous waste on-site? [?](#)

Yes

Is your facility's treatment subject to financial assurance requirements (for Permit by Rule or Conditional Authorization)? [?](#)

Yes

Does your facility consolidate hazardous waste generated at a remote site? [?](#)

No

If yes, an EPA Identification Number (EPA ID) is required.

Does your facility need to report the closure/removal of a tank that was classified as hazardous waste and cleaned on-site? [?](#)

No

2. Facility  
treats HW.

# Annual HMBP Certification (AB 1429)

This feature allows a business owner/operator to annually certify that the information in their last HMBP submittal in CERS is complete, accurate, and complies with EPCRA, if applicable. This option may only be used for facilities that meet the eligibility requirements for annual certification, and that are not subject to EPCRA reporting or APSA requirements. Please click [here](#) to review eligibility requirements. It is strongly advised that you carefully review your last HMBP submittal for accuracy before certifying.

Certify

## Facility Information

DRAFT Jan. 17, 2024

Submit

[Business Activities](#)

Ready to Submit with warnings

Edit

[Business Owner/Operator Identification](#)

Ready to Submit

Edit

[Discard Draft Submittal](#)

[Miscellaneous State-Required Documents](#)

[Add Comment To Regulator](#)

## Hazardous Materials Inventory

No Previous Submittals

Start

Not Applicable

## Emergency Response and Training Plans

No Previous Submittals

Start

Not Applicable

## Tiered Permitting

DRAFT Jan. 19, 2024

Submit

[Tiered Permitting: Facility](#)

Ready to Submit

Edit

Discard

[Units](#) [Add Unit](#) Not required for Conditionally Exempt Commercial Laundry Facilities (CE-CL)

[Tiered Permitting: Unit PBR - Metal Precipitation \(ID: 001\)](#)

Ready to Submit

Edit

Discard

[Tiered Permitting: Unit CA - CA Unit \(ID: 002\)](#)

Review Needed

Edit

Discard

[Tiered Permitting: Plot Plan/Map](#)

New

[Tiered Permitting Unit: Prior Enforcement History](#)

New

[Tiered Permitting Unit: Tank and Container Certification](#)

New

[Tiered Permitting Unit: Local Agency Notification](#)

New

[Tiered Permitting Unit: Property Owner Notification](#)

New

[Financial Assurance](#) [Add Certification](#) Required for Facilities with PBR and CA Units Only

[Tiered Permitting Unit: Financial Assurance Certification - Mechanism Type: \(Unknown\)](#)

Review Needed

Edit

Discard

[Tiered Permitting: Estimate of Closure Costs](#)

New

[Tiered Permitting: Financial Assurance Closure Mechanism](#)

New

[Discard Draft Submittal](#)

[Miscellaneous State-Required Documents](#)

[Add Comment To Regulator](#)

# Tiered Permitting: Facility: TP REVIEW TEST ACCOUNT

[Home](#) » [Prepare Submittal \(10187963\)](#) » Tiered Permitting: Facility (Draft)

## Instructions/Help



Some treatment activities are exempt from reporting provided certain conditions are met (see Appendix A of the Onsite Hazardous Waste Treatment Notification Instructions at [Onsite Hazardous Waste Treatment Notification Instructions - Appendix A](#)). Otherwise, you must complete this submittal element if your facility is a hazardous waste generator performing treatment of hazardous wastes at the site where the waste is generated, and the facility is eligible under the Conditional Exemption (CE), or Conditional Authorization (CA) tiers, or operates a Fixed Treatment Unit (FTU) under the Permit by Rule (PBR) tier. To determine which tier or tiers apply to your operations, refer to the DTSC Onsite Tiered Permitting Flow Chart (<https://dtsc.ca.gov/2020/04/17/document-request/>).

Discard

Save

Cancel

### Permit Status (Check all that apply)

- Facility Permit
- Interim Status
- Standardized Permit
- Variance
- Consent Agreement

### Number of Units at Facility

#	Unit Type / Tier
0	Conditionally Exempt – Small Quantity Treatment (CESQT)
0	Conditionally Exempt Specified Wastestream (CESW)
1	Conditionally Authorized (CA)
1	Permit by Rule (PBR)
0	Conditionally Exempt – Limited (CEL)
<input type="text" value="0"/>	Number of CE-CL Units
2	TOTAL UNITS

With the exception of CE-CL Units, the Number of Units for this facility are automatically calculated based on each populated Unit Page. Filling out the appropriate Unit Pages for this Facility will automatically update these numbers.

### Certification

**Waste Minimization** I certify that I have a program in place to reduce the volume, quantity and toxicity of waste generated to the degree I have determined to be economically practicable and that I have selected the practicable method of treatment, storage, or disposal currently available to me which minimizes the present and future threat to human health and the environment.

**Tiered Permitting Certification** I certify that the unit or units described in these documents meet the eligibility and operating requirements of state statutes and regulations for the indicated permitting tier, including generator and secondary containment requirements. I certify under penalty of law that this document and all attachments were prepared under my direction or supervision in accordance with a system designed to assure that qualified personnel properly gather and evaluate the information submitted. Based on my inquiry of the person or persons who manage the system, or those directly responsible for gathering the information, the information is, to the best of my knowledge and belief, true, accurate, and complete.

I am aware that there are substantial penalties for submitting false information, including the possibility of fines and imprisonment for knowing violations.

Owner/Operator Name

JOHN DOE

Request for Shortened Review Period (CE and CA only)

Yes  No

Owner/Operator Title

HEAD PLATING SUPERVISOR

Date Certified

1/23/2024



# Tiered Permitting: Facility: TP REVIEW TEST ACCOUNT

[Home](#) » [Prepare Submittal \(10187963\)](#) » Tiered Permitting: Facility (Draft)

## Instructions/Help

Some treatment activities are exempt from reporting provided certain conditions are met (see Appendix A of the Onsite Hazardous Waste Treatment Notification Instructions at [Onsite Hazardous Waste Treatment Notification Instructions - Appendix A](#)). Otherwise, you must complete this submittal element if your facility is a hazardous waste generator performing treatment of hazardous wastes at the site where the waste is generated, and the facility is eligible under the Conditional Exemption (CE), or Conditional Authorization (CA) tiers, or operates a Fixed Treatment Unit (FTU) under the Permit by Rule (PBR) tier. To determine which tier or tiers apply to your operations, refer to the DTSC Onsite Tiered Permitting Flow Chart (<https://dtsc.ca.gov/2020/04/17/document-request/>).

## Appendix A - Exempt Treatment Activities



26th California Unified Program  
Annual Training Conference  
February 26-29, 2024



# APPENDIX A-EXEMPT FROM NOTIFICATION

1. Biotechnology Elementary Neutralization Activities...wastes generated by biotechnology manufacturing or biotechnology process.
2. Neutralization of Acid/ Alkaline Wastes from Regeneration of Ion Exchange Media –
3. Neutralization of Acid/ Alkaline Wastes from the Food Processing Industry –
4. Silver Recovery
5. Sieving or Filtering Under Limited Conditions - Sieving or filtering liquid hazardous waste to remove solid fractions, WITHOUT added heat, chemicals, or pressure
6. Phase Separation Under Limited Conditions - ....if the separation is unaided by the addition of heat or chemicals, and the activity is conducted onsite.
7. Combination of Wastestreams Under Limited Conditions -...IF combining two or more waste streams that are not incompatible into a single tank or container
8. Evaporation of Water Under Limited Conditions - ...such as breathing and evaporation through vents and floating roofs, WITHOUT the addition of pressure, chemicals, or heat other than sunlight or ambient room lighting or heating.



**Training**  
Build: 3.09.0014

Onsite Hazardous Waste Treatment Notification Instructions at  
submittal element if your facility is a hazardous waste generator  
under the Conditional Exemption (CE), or Conditional Authorization  
(CA) tiers, or operates a Fixed Treatment Unit (FTU) under the Permit by Rule (PBR) tier. To determine which tier or tiers apply to your operations, refer to the DTSC Onsite Tiered  
Permitting Flow Chart (<https://dtsc.ca.gov/2020/04/17/document-request/>).

Discard

Save

Cancel

**Permit Status (Check all that apply)**

- Facility Permit
- Interim Status
- Standardized Permit
- Variance
- Consent Agreement

**Number of Units at Facility**

#	Unit Type / Tier
0	Conditionally Exempt – Small Quantity Treatment (CESQT)
0	Conditionally Exempt Specified Wastestream (CESW)
0	Conditionally Authorized (CA)
1	Permit by Rule (PBR)
0	Conditionally Exempt – Limited (CEL)
<input type="text" value="0"/>	Number of CE-CL Units
1	<b>TOTAL UNITS</b>

With the exception of CE-CL Units, the Number of Units for this facility are automatically calculated based on each populated Unit Page. Filling out the appropriate Unit Pages for this Facility will automatically update these numbers.

**Certification**

Waste Minimization I certify that I have a program in place to reduce the volume, quantity and toxicity of waste generated to the degree I have determined to be economically practicable and that I have selected the practicable method of treatment, storage, or disposal currently available to me which minimizes the present and future threat to human health and the environment.

Tiered Permitting Certification I certify that the unit or units described in these documents meet the eligibility and operating requirements of state statutes and regulations for the indicated permitting tier, including generator and secondary containment requirements. I certify under penalty of law that this document and all attachments were prepared under my direction or supervision in accordance with a system designed to assure that qualified personnel properly gather and evaluate the information submitted. Based on my inquiry of the person or persons who manage the system, or those directly responsible for gathering the information, the information is, to the best of my knowledge and belief, true, accurate, and complete.

I am aware that there are substantial penalties for submitting false information, including the possibility of fines and imprisonment for knowing violations.

Owner/Operator Name

JOHN DOE

Request for Shortened Review Period (CE and CA only)

Yes  No

Owner/Operator Title

HEAD PLATING SUPERVISOR

Date Certified

1/23/2024



Save

Cancel

### Permit Status (Check all that apply)

No Facility Permit

No Interim Status

No Standardized Permit

No Variance

No Consent Agreement

### Certification

Waste Minimization I certify that I have a program in place that I have selected the practicable method of treatment, st

Tiered Permitting Certification I certify that the unit or units permitting tier, including generator and secondary container supervision in accordance with a system designed to assure manage the system, or those directly responsible for gather

I am aware that there are substantial penalties for submitting

Owner/Operator Name

NICK GRANA

Owner/Operator Title

VP

Date Certified

10/3/2023 12:

1. DTSC-The Full Permit Tier - Includes all facilities requiring a RCRA permit, plus selected non-RCRA activities . “Check this box **ONLY if you now have or have ever held a state or federal hazardous waste facility full permit** for any of these treatment units”
2. DTSC-Interim status-Interim Status **allows existing facilities that become subject to newly enacted hazardous waste laws to continue operations** in a protective manner during the permit application process.
3. DTSC-The Standardized Permit Tier - A facility that manages waste not regulated under RCRA but regulated as a hazardous waste by the State of California. **I.e. recyclers, oil transfer stations, and precious metals recyclers.**
4. DTSC-Variance- A variance **exempts the applicant from specific requirements as indicated in the variance.** The regulations in California Code of Regulations, title 22
5. DTSC-Consent agreement- When approved, the consent agreement represents a **legally binding contract between an operator and state.** i.e. not prosecute as operator complies with the terms of the agreement.

Some treatment activities are exempt from reporting provided certain conditions are met (see Appendix A of the Onsite Hazardous Waste Treatment Notification Instructions at [Onsite Hazardous Waste Treatment Notification Instructions - Appendix A](#)). Otherwise, you must complete this submittal element if your facility is a hazardous waste generator performing treatment of hazardous wastes at the site where the waste is generated, and the facility is eligible under the Conditional Exemption (CE), or Conditional Authorization (CA) tiers, or operates a Fixed Treatment Unit (FTU) under the Permit by Rule (PBR) tier. To determine which tier or tiers apply to your operations, refer to the DTSC Onsite Tiered Permitting Flow Chart (<https://dtsc.ca.gov/2020/04/17/document-request/>).

Discard

Save

Cancel

## Permit Status (Check all that apply)

- Facility Permit <sup>?</sup>
- Interim Status <sup>?</sup>
- Standardized Permit <sup>?</sup>
- Variance <sup>?</sup>
- Consent Agreement <sup>?</sup>

## Number of Units at Facility

#	Unit Type / Tier	
0	Conditionally Exempt – Small Quantity Treatment (CESQT)	With the exception of CE-CL Units, the Number of Units for this facility are automatically calculated based on each populated Unit Page. Filling out the appropriate Unit Pages for this Facility will automatically update these numbers.
0	Conditionally Exempt Specified Wastestream (CESW)	
1	Conditionally Authorized (CA)	
1	Permit by Rule (PBR)	
0	Conditionally Exempt – Limited (CEL)	
<input type="text" value="0"/>	Number of CE-CL Units	
2	TOTAL UNITS	

## Certification

Waste Minimization I certify that I have a program in place to reduce the volume, quantity and toxicity of waste generated to the degree I have determined to be economically practicable and that I have selected the practicable method of treatment, storage, or disposal currently available to me which minimizes the present and future threat to human health and the environment.

Tiered Permitting Certification I certify that the unit or units described in these documents meet the eligibility and operating requirements of state statutes and regulations for the indicated permitting tier, including generator and secondary containment requirements. I certify under penalty of law that this document and all attachments were prepared under my direction or supervision in accordance with a system designed to assure that qualified personnel properly gather and evaluate the information submitted. Based on my inquiry of the person or persons who manage the system, or those directly responsible for gathering the information, the information is, to the best of my knowledge and belief, true, accurate, and complete.

I am aware that there are substantial penalties for submitting false information, including the possibility of fines and imprisonment for knowing violations.

Owner/Operator Name <sup>?</sup>

JOHN DOE

Request for Shortened Review Period (CE and CA only)

 Yes  NoOwner/Operator Title <sup>?</sup>

HEAD PLATING SUPERVISOR

Date Certified <sup>?</sup>

1/23/2024



Save

Cancel

**UNITS**  
automatically  
calculated when  
you add a unit,  
exception of CE  
which you must  
manually add

# TIER PERMITTING SUBMITTAL ON CERS

Some treatment activities are exempt from reporting provided certain conditions are met (see Appendix A of the Onsite Hazardous Waste Treatment Notification Instructions at [Onsite Hazardous Waste Treatment Notification Instructions - Appendix A](#)). Otherwise, you must complete this submittal element if your facility is a hazardous waste generator performing treatment of hazardous wastes at the site where the waste is generated, and the facility is eligible under the Conditional Exemption (CE), or Conditional Authorization (CA) tiers, or operates a Fixed Treatment Unit (FTU) under the Permit by Rule (PBR) tier. To determine which tier or tiers apply to your operations, refer to the DTSC Onsite Tiered Permitting Flow Chart (<https://dtsc.ca.gov/2020/04/17/document-request/>).

Discard

Save

Cancel

## Permit Status (Check all that apply)

- Facility Permit
- Interim Status
- Standardized Permit
- Variance
- Consent Agreement

## Number of Units at Facility

#	Unit Type / Tier	
0	Conditionally Exempt – Small Quantity Treatment (CESQT)	With the exception of CE-CL Units, the Number of Units for this facility are automatically calculated based on each populated Unit Page. Filling out the appropriate Unit Pages for this Facility will automatically update these numbers.
0	Conditionally Exempt Specified Wastestream (CESW)	
1	Conditionally Authorized (CA)	
1	Permit by Rule (PBR)	
0	Conditionally Exempt – Limited (CEL)	
0	Number of CE-CL Units	
2	TOTAL UNITS	

## Certification

Waste Minimization I certify that I have a program in place to reduce the volume, quantity and toxicity of waste generated to the degree I have determined to be economically practicable and that I have selected the practicable method of treatment, storage, or disposal currently available to me which minimizes the present and future threat to human health and the environment.

Tiered Permitting Certification I certify that the unit or units described in these documents meet the eligibility and operating requirements of state statutes and regulations for the indicated permitting tier, including generator and secondary containment requirements. I certify under penalty of law that this document and all attachments were prepared under my direction or supervision in accordance with a system designed to assure that qualified personnel properly gather and evaluate the information submitted. Based on my inquiry of the person or persons who manage the system, or those directly responsible for gathering the information, the information is, to the best of my knowledge and belief, true, accurate, and complete.

I am aware that there are substantial penalties for submitting false information, including the possibility of fines and imprisonment for knowing violations.

Owner/Operator Name

JOHN DOE

Owner/Operator Title

HEAD PLATING SUPERVISOR

Date Certified

1/23/2024

Request for Shortened Review Period (CE and CA only)

Yes  No

Save

Cancel

Each notification shall be completed, dated, signed

[67450.2(b)(3)]

Treatment facility information [67450.2(b)(3)(B)]

FTU contact person and telephone number]

Tier permitting – Facility page

## TIER PERMITTING SUBMITTAL ONCERS

1. ~~Business owner page~~
2. ~~Business activity page~~
3. ~~Tier Permitting Facility page~~
4. **Onsite Hazardous Waste Treatment Notification Page (PBR)-**  
Plot Plan, Prior Enforcement, Tank Container Certs, Agency notification, Property owner notification



# Tiered Permitting

DRAFT Jan. 19, 2024

Submit

[Tiered Permitting: Facility](#)

Ready to Submit

Edit Discard

**Units** [Add Unit](#) Not required for Conditionally Exempt Commercial Laundry Facilities (CE-CL)

[Tiered Permitting: Unit PBR - Metal Precipitation \(ID: 001\)](#)

Ready to Submit

Edit Discard

[Tiered Permitting: Unit CA - CA Unit \(ID: 002\)](#)

**Review Needed**

Edit Discard

[Tiered Permitting: Plot Plan/Map](#)

 New

[Tiered Permitting Unit: Prior Enforcement History](#)

 New

[Tiered Permitting Unit: Tank and Container Certification](#)

 New

[Tiered Permitting Unit: Local Agency Notification](#)

 New

[Tiered Permitting Unit: Property Owner Notification](#)

 New

Click on "ADD UNIT" to open up

### Instructions/Help

Complete a separate *Onsite Hazardous Waste Treatment Notification - Unit* form for each treatment unit operating at this facility. Commercial Laundries (CE-CL Units) are not required to complete unit specific pages, provided that laundering is the only hazardous waste treatment activity conducted by the facility.

Print icon | Save | Cancel

#### Treatment Unit Identification and Details

Unit Type/Tier  CESQT  CESW  CA  PBR  CEL

Unit ID#  Unit Name

Number of Tanks  Number Of Containers/Treatment Areas

Monthly Treatment Volume  Unit Of Measure  Pounds  Gallons

Specific Waste Type Treated (Narrative)

Treatment Process Description (Narrative)

#### Basis for Not Needing Federal Permit (Check all that apply)

a. Treated Waste is not a Hazardous Waste under Federal Law (California-only waste)

b. Treated in Waste Water Treatment Units (Tanks) and Discharged to a Publicly Owned Treatment Works (POTW)/Sewering Agency or under an NPDES Permit

c. Treatment in Elementary Neutralization Units

d. Treatment in a Totally Enclosed Treatment Facility

e. Federal Conditionally Exempt Small Quantity Generator (generated 100kg, approximately 27 gallons, or less of hazardous waste in a calendar month)

f. Treatment in an accumulation tank or container within 90 days for over 1000 kg/month generators and 180 or 270 days for generators of 100 to 1000 kg/month.

g. Recyclable Materials are Reclaimed to Recover Silver or other Precious Metals

h. Empty Container Rinsing and/or Treatment

i. Other Basis (specify below)

#### Residuals Management Description (Check all that apply)

a. Discharge non-hazardous aqueous waste to POTW or sewer

b. Discharge non-hazardous aqueous waste under a NPDES permit

c. Dispose of Non-hazardous Solid Waste Residues at an Offsite Location

d. Offsite Recycling

e. Thermal Treatment

f. Disposal to Land

g. Further Treatment

h. Other Method of Disposal (specify below)

Secondary Containment Installation Date (If Required)

## Unit type/Tier-

PBR-

Will populate only PBR options at the bottom of the page



**Residuals Management Description (Check all that apply)**

- a. Discharge non-hazardous aqueous waste to POTW or sewer
- b. Discharge non-hazardous aqueous waste under a NPDES permit
- c. Dispose of Non-hazardous Solid Waste Residues at an Offsite Location
- d. Offsite Recycling

**Training**

Build: 3.09.0014

- e. Thermal Treatment
- f. Disposal to Land
- g. Further Treatment

 h. Other Method of Disposal (specify below)Secondary Containment Installation Date (If Required) 

At least one Waste and Treatment Combination must be provided.

**Permit by Rule (PBR) - Waste and Treatment Process Combinations****1. Aqueous wastes containing hexavalent chromium may be treated by the following process:**

- Reduction of hexavalent chromium to trivalent chromium with sodium bisulfite, sodium metabisulfite, sodium thiosulfite, ferrous sulfate, ferrous sulfide, or sulfur dioxide provided both pH & addition of the reducing agent are automatically controlled

**2. Aqueous wastes containing metals listed in Title 22, CCR, Section 66261.24(a)(2) and/or fluoride salts may be treated by the following technologies:**

- pH Adjustment / Neutralization
- Precipitation or Crystallization
- Phase Separation by Filter, Centrifuge, or Gravity Settling
- Ion Exchange
- Reverse Osmosis
- Metallic Replacement
- Plating onto an Electrode
- Electrodialysis
- Electrowinning or Electrolytic Recovery
- Chemical Stabilization Using Silicates or Cementitious Reactions
- Evaporation
- Adsorption

**3. Aqueous wastes with total organic carbon less than 10% as measured by EPA Method 9060 and less than 1% total volatile organic compounds as measured by EPA Method 8240 may be treated by the following technologies:**

- Phase separation by filter, centrifuge, or gravity settling, but excluding super critical fluid extraction
- Adsorption
- Distillation
- Biological processes conducted in tanks or containers and utilizing naturally occurring microorganisms
- Photodegradation using ultraviolet light, with or without the addition of hydrogen peroxide or ozone, provided the treatment is conducted in an enclosed system
- Air stripping or steam stripping

**4. Sludges, dusts, solid metal objects and metal workings which contain or are contaminated with metals listed in Title 22, CCR, Section 66261.24(a)(2) and/or fluoride salts may be treated by the following technologies:**

- Chemical stabilization using silicates or cementitious types of reactions
- Physical processes which change only the physical properties of the waste such as grinding, shredding, crushing, or compacting.
- Drying to remove water
- Separation based on differences in physical properties such as size, magnetism, or density

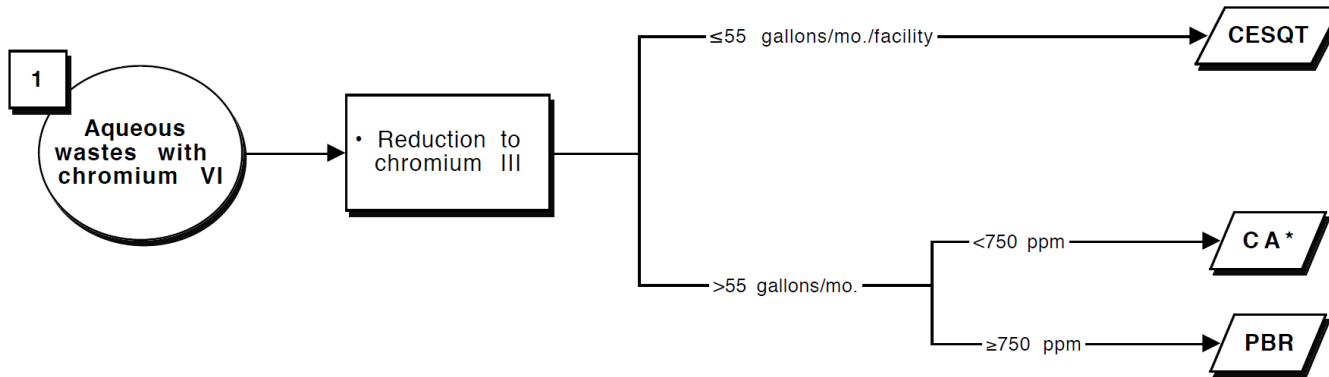
**5. Alum, gypsum, lime, sulfur or phosphate sludges may be treated by the following technologies:**

- Chemical stabilization using silicates or cementitious types of reactions

# Remember this?

## Onsite Tiered Permitting – Flowchart

(For non-RCRA or RCRA exempt hazardous waste facilities conducting onsite treatment.)



**CESQT – Conditionally Exempt Small Quantity Treatment**

(Health and Safety Code (HSC §25201.5(a)))

**CESW – Conditionally Exempt Specified Wastestream (HSC §25201.5(c))**

**CEL – Conditionally Exempt-Limited (HSC §25201.14)**

Discard

Edit

Cancel

### Treatment Unit Identification and Details

Unit Type/Tier PBR	Unit ID# 001	Unit Name Metal Precipitation		
	Number of Tanks 4	Number Of Containers/Treatment Areas 1	Monthly Treatment Volume 1100	Unit Of Measure Gallons
Specific Waste Type Treated (Narrative) Aqueous waste with the following metals: Nicke, Zinc			Treatment Process Description (Narrative) pH adjustment, Coagulation/Flocculation to precipitate the metal out	

1. "Unit" means a tank, a container, or a combination of tanks or tank systems and/or containers located together that are used in sequence to treat or accumulate one or more compatible hazardous waste streams. The devices are either plumbed together or otherwise linked so as to form one system.

### Basis for Not Needing Federal Permit (Check all that apply)

- Yes a. Treated Waste is not a Hazardous Waste under Federal Law (California-only waste)  No f. Treatment in an accumulation tank or container within 90 days for over 1000 kg/month generators and 180 or 270 days for generators of 100 to 1000 kg/month.
- Yes b. Treated in Waste Water Treatment Units (Tanks) and Discharged to a Publicly Owned Treatment Works (POTW)/Sewering Agency or under an NPDES Permit  No g. Recyclable Materials are Reclaimed to Recover Silver or other Precious Metals
- Yes c. Treatment in Elementary Neutralization Units  No h. Empty Container Rinsing and/or Treatment
- No d. Treatment in a Totally Enclosed Treatment Facility  No i. Other Basis (specify below)
- No e. Federal Conditionally Exempt Small Quantity Generator (generated 100kg, approximately 27 gallons, or less of hazardous waste in a calendar month)

2. UNIT ID- Ensure the numbers are not repeated or duplicated.

3. UNIT NAME- Enter the name of the treatment unit. .

### Residuals Management Description (Check all that apply)

- Yes a. Discharge non-hazardous aqueous waste to POTW or sewer  No e. Thermal Treatment  No h. Other Method of Disposal (specify below)
  - No b. Discharge non-hazardous aqueous waste under a NPDES permit  No f. Disposal to Land
  - No c. Dispose of Non-hazardous Solid Waste Residues at an Offsite Location  No g. Further Treatment
  - No d. Offsite Recycling
- Secondary Containment Installation Date (If Required)  
-

Discard

Edit

Cancel

### Treatment Unit Identification and Details

Unit Type/Tier PBR	Unit ID# 001	Unit Name Metal Precipitation		
	Number of Tanks 4	Number Of Containers/Treatment Areas 1	Monthly Treatment Volume 1100	Unit Of Measure Gallons
Specific Waste Type Treated (Narrative) Aqueous waste with the following metals: Nicke, Zinc			Treatment Process Description (Narrative) pH adjustment, Coagulation/Flocculation to precipitate the metal out	

1. "Unit" means a tank, a container, or a combination of tanks or tank systems and/or containers located together that are used in sequence to treat or accumulate one or more compatible hazardous waste streams. The devices are either plumbed together or otherwise linked so as to form one system.

### Basis for Not Needing Federal Permit (Check all that apply)

- Yes a. Treated Waste is not a Hazardous Waste under Federal Law (California-only waste)  No f. Treatment in an accumulation tank or container within 90 days for over 1000 kg/month generators and 180 or 270 days for generators of 100 to 1000 kg/month.
- Yes b. Treated in Waste Water Treatment Units (Tanks) and Discharged to a Publicly Owned Treatment Works (POTW)/Sewering Agency or under an NPDES Permit  No g. Recyclable Materials are Reclaimed to Recover Silver or other Precious Metals
- Yes c. Treatment in Elementary Neutralization Units  No h. Empty Container Rinsing and/or Treatment
- No d. Treatment in a Totally Enclosed Treatment Facility  No i. Other Basis (specify below)
- No e. Federal Conditionally Exempt Small Quantity Generator (generated 100kg, approximately 27 gallons, or less of hazardous waste in a calendar month)

2. UNIT ID- Ensure the numbers are not repeated or duplicated.

3. UNIT NAME- Enter the name of the treatment unit. .

### Residuals Management Description (Check all that apply)

- Yes a. Discharge non-hazardous aqueous waste to POTW or sewer  No e. Thermal Treatment  No h. Other Method of Disposal (specify below)
  - No b. Discharge non-hazardous aqueous waste under a NPDES permit  No f. Disposal to Land
  - No c. Dispose of Non-hazardous Solid Waste Residues at an Offsite Location  No g. Further Treatment
  - No d. Offsite Recycling
- Secondary Containment Installation Date (If Required)  
-



Discard

Edit

Cancel

### Treatment Unit Identification and Details

Unit Type/Tier PBR	Unit ID# 001	Unit Name Metal Precipitation		
	Number of Tanks 4	Number Of Containers/Treatment Areas 1	Monthly Treatment Volume 1100	Unit Of Measure Gallons
Specific Waste Type Treated (Narrative) Aqueous waste with the following metals: Nickle, Zinc		Treatment Process Description (Narrative) pH adjustment, Coagulation/Flocculation to precipitate the metal out		

Tank=stationary device

Container=Portable

### Basis for Not Needing Federal Permit (Check all that apply)

- Yes a. Treated Waste is not a Hazardous Waste under Federal Law (California-only waste)  No f. Treatment in an accumulation tank or container within 90 days for over 1000 kg/month generators and 180 or 270 days for generators of 100 to 1000 kg/month.
- Yes b. Treated in Waste Water Treatment Units (Tanks) and Discharged to a Publicly Owned Treatment Works (POTW)/Sewering Agency or under an NPDES Permit  No g. Recyclable Materials are Reclaimed to Recover Silver or other Precious Metals
- Yes c. Treatment in Elementary Neutralization Units  No h. Empty Container Rinsing and/or Treatment
- No d. Treatment in a Totally Enclosed Treatment Facility  No i. Other Basis (specify below)
- No e. Federal Conditionally Exempt Small Quantity Generator (generated 100kg, approximately 27 gallons, or less of hazardous waste in a calendar month)

Certificate specified asks for tank certification- 66265.192(a)

### Residuals Management Description (Check all that apply)

- Yes a. Discharge non-hazardous aqueous waste to POTW or sewer  No e. Thermal Treatment  No h. Other Method of Disposal (specify below)
- No b. Discharge non-hazardous aqueous waste under a NPDES permit  No f. Disposal to Land
- No c. Dispose of Non-hazardous Solid Waste Residues at an Offsite Location  No g. Further Treatment Secondary Containment Installation Date (If Required)
- No d. Offsite Recycling

### Treatment Unit Identification and Details

Unit Type/Tier PBR	Unit ID# 001	Unit Name Metal Precipitation		
	Number of Tanks 4	Number Of Containers/Treatment Areas 1	Monthly Treatment Volume 1100	Unit Of Measure Gallons
Specific Waste Type Treated (Narrative) Aqueous waste with the following metals: Nickle, Zinc			Treatment Process Description (Narrative) pH adjustment, Coagulation/Flocculation to precipitate the metal out	

If fluctuating-  
indicate highest  
volume treated  
in any month

### Basis for Not Needing Federal Permit (Check all that apply)

- |                                      |  |                          |  |
|--------------------------------------|--|--------------------------|--|
| <input checked="" type="radio"/> Yes | a. Treated Waste is not a Hazardous Waste under Federal Law (California-only waste)  | <input type="radio"/> No | f. Treatment in an accumulation tank or container within 90 days for over 1000 kg/month generators and 180 or 270 days for generators of 100 to 1000 kg/month. |
| <input checked="" type="radio"/> Yes | b. Treated in Waste Water Treatment Units (Tanks) and Discharged to a Publicly Owned Treatment Works (POTW)/Sewering Agency or under an NPDES Permit | <input type="radio"/> No | g. Recyclable Materials are Reclaimed to Recover Silver or other Precious Metals   |
| <input checked="" type="radio"/> Yes | c. Treatment in Elementary Neutralization Units  | <input type="radio"/> No | h. Empty Container Rinsing and/or Treatment  |
| <input type="radio"/> No             | d. Treatment in a Totally Enclosed Treatment Facility  | <input type="radio"/> No | i. Other Basis (specify below)   |
| <input type="radio"/> No             | e. Federal Conditionally Exempt Small Quantity Generator (generated 100kg, approximately 27 gallons, or less of hazardous waste in a calendar month) |                          | -  |

### Residuals Management Description (Check all that apply)

- |                                      |   |                          |                      |                          |   |
|--------------------------------------|---|--------------------------|----------------------|--------------------------|---|
| <input checked="" type="radio"/> Yes | a. Discharge non-hazardous aqueous waste to POTW or sewer               | <input type="radio"/> No | e. Thermal Treatment | <input type="radio"/> No | h. Other Method of Disposal (specify below)           |
| <input type="radio"/> No             | b. Discharge non-hazardous aqueous waste under a NPDES permit           | <input type="radio"/> No | f. Disposal to Land  |                          | -   |
| <input type="radio"/> No             | c. Dispose of Non-hazardous Solid Waste Residues at an Offsite Location | <input type="radio"/> No | g. Further Treatment |                          | Secondary Containment Installation Date (If Required) |
| <input type="radio"/> No             | d. Offsite Recycling  |                          |                      |                          | -   |

Discard

Edit

Cancel

### Treatment Unit Identification and Details

Unit Type/Tier PBR	Unit ID# 001	Unit Name Metal Precipitation		
	Number of Tanks 4	Number Of Containers/Treatment Areas 1	Monthly Treatment Volume 1100	Unit Of Measure Gallons
Specific Waste Type Treated (Narrative) Aqueous waste with the following metals: Nickle, Zinc			Treatment Process Description (Narrative) pH adjustment, Coagulation/Flocculation to precipitate the metal out	

**SPECIFIC WASTE TYPE-** Describe the specific waste type(s) treated. For example, if waste qualifies as an aqueous waste with metal or organics, **indicate the specific metals or organics.**

### Basis for Not Needing Federal Permit (Check all that apply)

- Yes a. Treated Waste is not a Hazardous Waste under Federal Law (California-only waste)  No f. Treatment in an accumulation tank or container within 90 days for over 1000 kg/month generators and 180 or 270 days for generators of 100 to 1000 kg/month.
- Yes b. Treated in Waste Water Treatment Units (Tanks) and Discharged to a Publicly Owned Treatment Works (POTW)/Sewering Agency or under an NPDES Permit  No g. Recyclable Materials are Reclaimed to Recover Silver or other Precious Metals
- Yes c. Treatment in Elementary Neutralization Units  No h. Empty Container Rinsing and/or Treatment
- No d. Treatment in a Totally Enclosed Treatment Facility  No i. Other Basis (specify below)
- No e. Federal Conditionally Exempt Small Quantity Generator (generated 100kg, approximately 27 gallons, or less of hazardous waste in a calendar month) -

**TREATMENT PROCESS DESCRIPTION-** Describe the treatment process(es) used. **Indicate if the activities are seasonal or periodic.**

### Residuals Management Description (Check all that apply)

- Yes a. Discharge non-hazardous aqueous waste to POTW or sewer  No e. Thermal Treatment  No h. Other Method of Disposal (specify below)
- No b. Discharge non-hazardous aqueous waste under a NPDES permit  No f. Disposal to Land
- No c. Dispose of Non-hazardous Solid Waste Residues at an Offsite Location  No g. Further Treatment Secondary Containment Installation Date (If Required)
- No d. Offsite Recycling -

Discard

Edit

Cancel

### Treatment Unit Identification and Details

Unit Type/Tier PBR	Unit ID# 001	Unit Name Metal Precipitation		
	Number of Tanks 4	Number Of Containers/Treatment Areas 1	Monthly Treatment Volume 1100	Unit Of Measure Gallons
Specific Waste Type Treated (Narrative) Aqueous waste with the following metals: Nickle, Zinc		Treatment Process Description (Narrative) pH adjustment, Coagulation/Flocculation to precipitate the metal out		

### Basis for Not Needing Federal Permit (Check all that apply)

- Yes a. Treated Waste is not a Hazardous Waste under Federal Law (California-only waste)  No f. Treatment in an accumulation tank or container within 90 days for over 1000 kg/month generators and 180 or 270 days for generators of 100 to 1000 kg/month.
- Yes b. Treated in Waste Water Treatment Units (Tanks) and Discharged to a Publicly Owned Treatment Works (POTW)/Sewering Agency or under an NPDES Permit  No g. Recyclable Materials are Reclaimed to Recover Silver or other Precious Metals
- Yes c. Treatment in Elementary Neutralization Units  No h. Empty Container Rinsing and/or Treatment
- No d. Treatment in a Totally Enclosed Treatment Facility  No i. Other Basis (specify below)
- No e. Federal Conditionally Exempt Small Quantity Generator (generated 100kg, approximately 27 gallons, or less of hazardous waste in a calendar month)

### Residuals Management Description (Check all that apply)

- Yes a. Discharge non-hazardous aqueous waste to POTW or sewer  No e. Thermal Treatment  No h. Other Method of Disposal (specify below)
- No b. Discharge non-hazardous aqueous waste under a NPDES permit  No f. Disposal to Land
- No c. Dispose of Non-hazardous Solid Waste Residues at an Offsite Location  No g. Further Treatment Secondary Containment Installation Date (If Required)
- No d. Offsite Recycling

- Only onsite treatment operations that are not required to obtain a federal permit are eligible for the onsite permitting tiers. Must mark one.
- Hazardous waste permit is not required under RCRA and the federal regulations adopted under RCRA (40 CFR).



Discard

Edit

Cancel

### Treatment Unit Identification and Details

Unit Type/Tier PBR	Unit ID# 001	Unit Name Metal Precipitation		
	Number of Tanks 4	Number Of Containers/Treatment Areas 1	Monthly Treatment Volume 1100	Unit Of Measure Gallons
Specific Waste Type Treated (Narrative) Aqueous waste with the following metals: Nickle, Zinc		Treatment Process Description (Narrative) pH adjustment, Coagulation/Flocculation to precipitate the metal out		

### Basis for Not Needing Federal Permit (Check all that apply)

- Yes a. Treated Waste is not a Hazardous Waste under Federal Law (California-only waste)  No f. Treatment in an accumulation tank or container within 90 days for over 1000 kg/month generators and 180 or 270 days for generators of 100 to 1000 kg/month.
- Yes b. Treated in Waste Water Treatment Units (Tanks) and Discharged to a Publicly Owned Treatment Works (POTW)/Sewering Agency or under an NPDES Permit  No g. Recyclable Materials are Reclaimed to Recover Silver or other Precious Metals
- Yes c. Treatment in Elementary Neutralization Units  No h. Empty Container Rinsing and/or Treatment
- No d. Treatment in a Totally Enclosed Treatment Facility  No i. Other Basis (specify below)
- No e. Federal Conditionally Exempt Small Quantity Generator (generated 100kg, approximately 27 gallons, or less of hazardous waste in a calendar month)

### Residuals Management Description (Check all that apply)

- Yes a. Discharge non-hazardous aqueous waste to POTW or sewer  No e. Thermal Treatment  No h. Other Method of Disposal (specify below)
- No b. Discharge non-hazardous aqueous waste under a NPDES permit  No f. Disposal to Land
- No c. Dispose of Non-hazardous Solid Waste Residues at an Offsite Location  No g. Further Treatment Secondary Containment Installation Date (If Required)
- No d. Offsite Recycling

1. Part of Wastewater treatment facility. (clean water act 402 or 307(b)).
2. That receive and treats or store an influent wastewater or sludge that is in HW in a tank.

Discard

Edit

Cancel

### Treatment Unit Identification and Details

Unit Type/Tier PBR	Unit ID# 001	Unit Name Metal Precipitation		
	Number of Tanks 4	Number Of Containers/Treatment Areas 1	Monthly Treatment Volume 1100	Unit Of Measure Gallons
Specific Waste Type Treated (Narrative) Aqueous waste with the following metals: Nickle, Zinc			Treatment Process Description (Narrative) pH adjustment, Coagulation/Flocculation to precipitate the metal out	

### Basis for Not Needing Federal Permit (Check all that apply)

- Yes a. Treated Waste is not a Hazardous Waste under Federal Law (California-only waste)  No
- Yes b. Treated in Waste Water Treatment Units (Tanks) and Discharged to a Publicly Owned Treatment Works (POTW)/Sewering Agency or under an NPDES Permit  No
- Yes c. Treatment in Elementary Neutralization Units  No
- No d. Treatment in a Totally Enclosed Treatment Facility  No
- No e. Federal Conditionally Exempt Small Quantity Generator (generated 100kg, approximately 27 gallons, or less of hazardous waste in a calendar month)  No
- No f. Treatment in an accumulation tank or container within 90 days for over 1000 kg/month generators and 180 or 270 days for generators of 100 to 1000 kg/month.
- No g. Recyclable Materials are Reclaimed to Recover Silver or other Precious Metals
- No h. Empty Container Rinsing and/or Treatment
- No i. Other Basis (specify below)

### Residuals Management Description (Check all that apply)

- Yes a. Discharge non-hazardous aqueous waste to POTW or sewer  No
  - No b. Discharge non-hazardous aqueous waste under a NPDES permit  No
  - No c. Dispose of Non-hazardous Solid Waste Residues at an Offsite Location  No
  - No d. Offsite Recycling
  - No e. Thermal Treatment  No
  - No f. Disposal to Land
  - No g. Further Treatment
  - No h. Other Method of Disposal (specify below)
- Secondary Containment Installation Date (If Required)

A tank or a container used for neutralizing wastes that are **ONLY** hazardous due to their corrosivity characteristic- (pH less than or equal to 2 or greater than or equal to 12.5)

Discard

Edit

Cancel

### Treatment Unit Identification and Details

Unit Type/Tier PBR	Unit ID# 001	Unit Name Metal Precipitation		
	Number of Tanks 4	Number Of Containers/Treatment Areas 1	Monthly Treatment Volume 1100	Unit Of Measure Gallons
Specific Waste Type Treated (Narrative) Aqueous waste with the following metals: Nickle, Zinc		Treatment Process Description (Narrative) pH adjustment, Coagulation/Flocculation to precipitate the metal out		

### Basis for Not Needing Federal Permit (Check all that apply)

- Yes a. Treated Waste is not a Hazardous Waste under Federal Law (California-only waste)  No
- Yes b. Treated in Waste Water Treatment Units (Tanks) and Discharged to a Publicly Owned Treatment Works (POTW)/Sewering Agency or under an NPDES Permit  No
- Yes c. Treatment in Elementary Neutralization Units  No
- No d. Treatment in a Totally Enclosed Treatment Facility  No
- No e. Federal Conditionally Exempt Small Quantity Generator (generated 100kg, approximately 27 gallons, or less of hazardous waste in a calendar month)  No
- No f. Treatment in an accumulation tank or container within 90 days for over 1000 kg/month generators and 180 or 270 days for generators of 100 to 1000 kg/month.
- No g. Recyclable Materials are Reclaimed to Recover Silver or other Precious Metals
- No h. Empty Container Rinsing and/or Treatment
- No i. Other Basis (specify below)

### Residuals Management Description (Check all that apply)

- Yes a. Discharge non-hazardous aqueous waste to POTW or sewer  No
  - No b. Discharge non-hazardous aqueous waste under a NPDES permit  No
  - No c. Dispose of Non-hazardous Solid Waste Residues at an Offsite Location  No
  - No d. Offsite Recycling
  - No e. Thermal Treatment  No
  - No f. Disposal to Land
  - No g. Further Treatment
  - No h. Other Method of Disposal (specify below)
- Secondary Containment Installation Date (If Required)

Is directly connected to an industrial production process and which prevents the release of **any hazardous waste into the environment during treatment.**

Ex. Treatment in a closed loop or pipe where acid is neutralized

Discard

Edit

Cancel

### Treatment Unit Identification and Details

Unit Type/Tier PBR	Unit ID# 001	Unit Name Metal Precipitation		
	Number of Tanks 4	Number Of Containers/Treatment Areas 1	Monthly Treatment Volume 1100	Unit Of Measure Gallons
Specific Waste Type Treated (Narrative) Aqueous waste with the following metals: Nickle, Zinc		Treatment Process Description (Narrative) pH adjustment, Coagulation/Flocculation to precipitate the metal out		

Indicate what happened to residual hazardous waste?

### Basis for Not Needing Federal Permit (Check all that apply)

- Yes a. Treated Waste is not a Hazardous Waste under Federal Law (California-only waste)  No f. Treatment in an accumulation tank or container within 90 days for over 1000 kg/month generators and 180 or 270 days for generators of 100 to 1000 kg/month.
- Yes b. Treated in Waste Water Treatment Units (Tanks) and Discharged to a Publicly Owned Treatment Works (POTW)/Sewering Agency or under an NPDES Permit  No g. Recyclable Materials are Reclaimed to Recover Silver or other Precious Metals
- Yes c. Treatment in Elementary Neutralization Units  No h. Empty Container Rinsing and/or Treatment
- No d. Treatment in a Totally Enclosed Treatment Facility  No i. Other Basis (specify below)
- No e. Federal Conditionally Exempt Small Quantity Generator (generated 100kg, approximately 27 gallons, or less of hazardous waste in a calendar month)  No -

### Residuals Management Description (Check all that apply)

- Yes a. Discharge non-hazardous aqueous waste to POTW or sewer  No e. Thermal Treatment  No h. Other Method of Disposal (specify below)
- No b. Discharge non-hazardous aqueous waste under a NPDES permit  No f. Disposal to Land
- No c. Dispose of Non-hazardous Solid Waste Residues at an Offsite Location  No g. Further Treatment Secondary Containment Installation Date (If Required)
- No d. Offsite Recycling  No -

## TIER PERMITTING SUBMITTAL ONCERS

1. ~~Business owner page~~
2. ~~Business activity page~~
3. ~~Tier Permitting Facility page~~
4. ~~Onsite Hazardous Waste Treatment Notification Page (PBR)-~~

Plot Plan, Prior Enforcement, Tank Container Certs, Agency notification, Property owner notification



## Tiered Permitting: Facility

Ready to Submit

Edit Discard

### Units Not required for Conditionally Exempt Commercial Laundry Facilities (CE-CL)

Tiered Permitting: Unit PBR - Metal Precipitation (ID: 001)

Ready to Submit

Edit Discard

Tiered Permitting: Unit CA - CA Unit (ID: 002)

Review Needed

Edit Discard

Tiered Permitting: Plot Plan/Map

New

Tiered Permitting Unit: Prior Enforcement History

New

Tiered Permitting Unit: Tank and Container Certification

New

Tiered Permitting Unit: Local Agency Notification

New

Tiered Permitting Unit: Property Owner Notification

New

### Financial Assurance Required for Facilities with PBR and CA Units Only

Tiered Permitting Unit: Financial Assurance Certification - Mechanism Type: (Unknown)

Review Needed

Edit Discard

Tiered Permitting: Estimate of Closure Costs

New

Tiered Permitting: Financial Assurance Closure Mechanism

New

## Document Options

- Upload Document(s)
- Public Internet URL
- Provided Elsewhere in CERS
- Provided to Regulator
- Stored at Facility
- Exempt

## Document Upload(s)

[CERS Document Upload Policy](#)

### Upload Document

Choose File No file chosen

Date Authored (Required)

2/16/2024



Document Title (Required)

Tiered Permitting Unit: Notification of Local Agency or Agency

Description/Comments (Optional)

Save & Upload Again

Save & Finish

Done

raining

## TIER PERMITTING SUBMITTAL CONCERS

- Plot Plan-[67450.2(b)(3)(B)]
  1. Plot plan **detailing** where the hazardous waste treatment(s) will occur.
    - Detailing the location or locations of the unit or units at this facility.
    - The site Map uploaded with your facility's Hazardous Materials Inventory may be used if the unit numbers are clearly indicated.
- *For me, Ideally a flow diagrams and detailed descriptions of waste streams and treatment processes with unit flow.*





## TIER PERMITTING SUBMITTAL CONCERNS

- Prior Enforcement History

- Upload a statement documenting any convictions, judgments, settlements, or orders resulting from any action by any local, State, or federal environmental or public health enforcement agency concerning the operation of the facility within the **last three years**. [67450.2(b)(3)(f)]
- The summary should include case and docket number, name and address of the agency, date, brief explanation, type of case (criminal, civil, administrative) and final resolution (including fines and penalties).



## TIER PERMITTING SUBMITTAL ONCERS

- Prior Enforcement History

- <https://cersregulator2.calepa.ca.gov/Enforcement>
- <https://dtsc.ca.gov/hw-projects/enforcement-cases/>
- <https://www.envirostor.dtsc.ca.gov/public/>
- <https://echo.epa.gov/facilities/facility-search/results>
- CalOES website



# TIER PERMITTING SUBMITTAL ON CERS

## Tank Integrity Assessment Certification

- Is treatment happening in tanks?
- How many tanks?
- Are they all certified?



Discard

Edit

Cancel

### Treatment Unit Identification and Details

Unit Type/Tier	Unit ID#	Unit Name		
PBR	001	Metal Precipitation		
	Number of Tanks	Number Of Containers/Treatment Areas	Monthly Treatment Volume	Unit Of Measure
	4	1	1100	Gallons
	Specific Waste Type Treated (Narrative)		Treatment Process Description (Narrative)	
	Aqueous waste with the following metals: Nickle, Zinc		pH adjustment, Coagulation/Flocculation to precipitate the metal out	

### Basis for Not Needing Federal Permit (Check all that apply)



# TIER PERMITTING SUBMITTAL ONCERS

## Tank integrity Assessment Certifications

- 67450.2(b)(3)(G)-The onsite HW treatment notification.....shall include...the certification specified in section
- 66264.175(c)- PE Certified
- 66265.191(a)-Existing tank requirement
- 66265.192(a)-New tank requirement



### Tiered Permitting: Tank and Container Certification(s)

Tank and/or containment system certifications are required to be submitted only for PBR units by 22 CCR 67450.2(b)(3)(G), when applicable. Containment system certifications must be a written statement signed by an independent, qualified professional engineer, registered in California, that indicates the containment system is suitably designed (22 CCR 66264.175(c)). Please see 22 CCR 66265.191(a) and 66265.192(a) for tank system certification requirements.

To upload a document, select the **Browse** button and then the file on your computer to upload, provide a document title, and then select **Save & Finish** to complete the upload. Use of other document options shown on the left must be approved by your local regulator.

### Document Options

- Upload Document(s)
- Public Internet URL
- Provided Elsewhere in CERS
- Provided to Regulator
- Stored at Facility
- Exempt

### Document Upload(s)

[CERS Document Upload Policy](#)

#### Upload Document

Choose File No file chosen

Date Authored (Required)

2/13/2024



Document Title (Required)

Tiered Permitting Unit: Tank and Container Certification

Description/Comments (Optional)

Save & Upload Again

Save & Finish

Done

Training

## TIER PERMITTING SUBMITTAL CONCERNS

### Tank integrity Assessment Certifications

- 66264.175(c):

A written statement signed by an independent, qualified professional engineer, registered in California, that indicates that the containment system is suitably designed to achieve the requirements of this section.



# TIER PERMITTING SUBMITTAL ON CERS

## Tank integrity Assessment Certifications



REGISTRATION LIST FOR SERVICEMEMBERS AND THEIR SPOUSES  
C DATA TRANSMISSION

PE License look-up at  
Department of Consumer  
Affairs

<https://search.dca.ca.gov/>

<b>BOARDS AND BUREAUS</b>	<b>BUSINESS NAME</b>
<input type="text"/>	<input type="text" value="Business Name"/>
<b>LICENSE TYPE</b>	<b>FIRST NAME</b>
<input type="text"/>	<input type="text" value="First Name"/>
<b>LICENSE NUMBER</b>	<b>LAST NAME</b>
<input type="text" value="License Number"/>	<input type="text" value="Last Name"/>
<input type="button" value="SEARCH"/>	<input type="button" value="CLEAR"/>
<a href="#">ADVANCED SEARCH</a>	



26th California Unified Program  
Annual Training Conference  
February 26-29, 2024

## TIER PERMITTING SUBMITTAL ONCERS

### Tank integrity Assessment Certifications (Existing tank)

#### “Existing tank”-

Installation had commenced on or prior to the following dates:

- 7/14/1986 for tanks holding RCRA waste
- 7/1/1991 for tanks holding Non-RCRA hazardous waste or RCRA waste with exemption

**66265.191(a)**- Not Leaking or is unfit for use-if no secondary containment  
Keep HW tank assessment on file





## TIER PERMITTING SUBMITTAL ONCERS

### Tank integrity Assessment Certifications (new tank-66265.192a)

#### 66265.192(a)- "New tank" –

- Structural support/strength, design standard, seams, pressure control
- Compatible waste,
- Corrosion protection-contact with soil/water
- HW assessment on file to include-



## TIER PERMITTING SUBMITTAL CONCERNS

### Tank integrity Assessment Certifications

What about 66265.192(k)-???

- Tank Configuration
- Age of tank
- Leak detection equipment
- Spill prevention/overflow equipment
- Estimate remaining life of the tank
- Secondary containment volume
- Etc...

→ To be kept on file at facility  
→ Valid for 5yrs or remaining service life.

→ 66265.192(k)...Not required as part of treatment notification???



## TIER PERMITTING SUBMITTAL CONCERS

- Local agency notifications [67450.2(b)(3)(A)]

Where is the treated waste being discharged to-

- A certification signed by the owner or operator specifying the local authorities that have been notified of the intended operation.
- At a minimum, the owner or operator shall notify the agency operating the POTW, if the treatment results in discharge to a POTW, and any other agency that requires notification for the operation of the FTU(s) at that facility.



## TIER PERMITTING SUBMITTAL ONCERS

### Notification Property Owner-[67450.2(b)(3)(C)]

- Documentation that the facility operator has notified the property owner, if different.
- (A letterhead with signed copy would suffice and would be uploaded) to ensure that the property owner is aware that facility is treating waste on their property.



**Owner**

TP REVIEW TEST ACCOUNT INC

Phone  
(714) 555-5555Mailing Address  
1333 BAYSHORE HWY  
Burlingame, CA 94010**Billing Contact**

MALAY TRIVEDI

Phone  
(714) 555-5555  
[MALAY.TRIVEDI@FIRE.LACOUNTY.GOV](mailto:MALAY.TRIVEDI@FIRE.LACOUNTY.GOV)Mailing Address  
1333 Bayshore Highway  
Burlingame, CA 94010**President**Business Phone 24-Hour Phone  Pager Number   
(714) 555-5555 (714) 555-5555 -**Secondary Emergency Contact**

Jane Doe

Title   
Vice PresidentBusiness Phone  24-Hour Phone  Pager Number   
(714) 555-5555 () - -**Environmental Contact**

Joe Doe

(714) 555-5555  
[MALAY.TRIVEDI@FIRE.LACOUNTY.GOV](mailto:MALAY.TRIVEDI@FIRE.LACOUNTY.GOV)Mailing Address  
1333 Bayshore Highway  
Burlingame, CA 94010Name of Signer  Title of Signer  Name of Document Preparer   
Malay Trivedi - Malay TrivediAdditional Information **Locally-Collected Information**

Some or all of the following fields may be required by your local regulator(s).

**Property Owner**

TP REVIEW TEST ACCOUNT INC

Phone  
(714) 555-5555Mailing Address  
1333 Bayshore Hwy  
Burlingame, CA 94010Assessor Parcel Number (APN) 

-

Number of Employees 


12

Facility ID Number (Regulator-provided)



## Search for Properties

All Property [Real Property](#) Personal Property Unsecured Tax Bill

Search by "AIN, Situs Address, Owner Name" or "Legal Description" 

AIN, Owner Name, Situs Address

Legal Description



26th California Unified Program  
Annual Training Conference  
February 26-29, 2024

## TIER PERMITTING SUBMITTAL ON CERS

- To be included in HW Treatment Notification Submittal per [67450.2(b)(3)(G)], Where in CERS?

FTU serial number?

Quantity of influent waste?

Board of equalization account number?

*(67450.2(b)(3)(B))*

Hours of operation?



# TIER PERMITTING SUBMITTAL ON CERS

## INITIAL PBR vs. ANNUAL PBR

- Phase I environmental assessment [67450.7(a)(3)], [25200.14] which assesses release of HW and clean up.
- Complete Phase I environmental assessment within one year of receiving the permit. Submit to DTSC and copy to CUPA.
- DTSC Form 1151 “Phase I Environmental Checklist” may be used to fulfill this requirement.

[https://dtsc.ca.gov/wp-content/uploads/sites/31/2018/02/HWM-TP\\_Phase-I-Env-Assessment-Chcklist.pdf](https://dtsc.ca.gov/wp-content/uploads/sites/31/2018/02/HWM-TP_Phase-I-Env-Assessment-Chcklist.pdf)





## TIER PERMITTING SUBMITTAL CONCERS

### INITIAL CA

- Generator name, identification number, site address, mailing address and telephone number [HSC 25200.3(e)(3)(A)]
- Description of the physical characteristics and chemical composition of the waste [HSC 25200.3(e)(3)(B)]
- Description on the waste treatment activity and basis for determining that a hazardous waste facility permit is not requires [HSC 25200.3(e)(3)(C)]
- Description of the characteristics and management of any treatment residuals [HSC 2500.3(e)(3)(D)]
- Statement documenting any prior conviction/judgments/settlements/orders within past 3 years [HSC 2500.3(e)(3)(E)]



## TIER PERMITTING SUBMITTAL ON CERS

- ANNUAL CA
- No requirement for annual submittals of TP documents [HSC 25200.3(l)]
- Closure cost estimate must be adjusted annually for inflation but does not need to be submitted [67450.13(A)(4)]
- Inflation factor due by March 1st of each subsequent year [67450.13(a)(2)]



## TIER PERMITTING SUBMITTAL ON CERS

- INITIAL CE
- Generator name, identification number, site address, mailing address and telephone number [HSC 25201.5(d)(7)(C)(i)]
- Description of the physical characteristics and chemical composition of the waste [HSC 25201.5(d)(7)(C)(ii)]
- Description of the waste treatment activity and basis for determining that a hazardous waste facility permit is not required [HSC 25201.5(d)(7)(C)(iii)]
- Description of the characteristics and management of any treatment residuals [HSC 25201.5(d)(7)(C)(iv)]
- ANNUAL CE -No requirement for annual submittals of TP



# BREAK TIME!

## (3 mins)



26th California Unified Program  
Annual Training Conference  
February 26-29, 2024

# Section 3

## Financial Assurance-Basic

*REFER TO 66265.143*



26th California Unified Program  
Annual Training Conference  
February 26-29, 2024

### Hazardous Materials

Does your facility have on site (for any purpose) at any one time, hazardous materials at or above 55 gallons for liquids, 500 pounds for solids, or 200 cubic feet for compressed gases (include liquids in ASTs and USTs); or is regulated under more restrictive local inventory reporting requirements (shown below if present); or the applicable Federal threshold quantity for an extremely hazardous substance specified in 40 CFR Part 355, Appendix A or B; or handle radiological materials in quantities for which an emergency plan is required pursuant to 10 CFR Parts 30, 40 or 70?

Yes

### Underground Storage Tank(s) (UST)

Does your facility own or operate underground storage tanks?

No

### Hazardous Waste

Does your Facility...

Does your facility generate Hazardous Waste?

Yes

If yes, an EPA Identification Number (EPA ID) is required.

Does your facility treat hazardous waste on-site?

Yes

Is your facility's treatment subject to financial assurance requirements (for Permit by Rule or Conditional Authorization)?

Yes

Does your facility consolidate hazardous waste generated at a remote site?

No

If yes, an EPA Identification Number (EPA ID) is required.

Does your facility need to report the closure/removal of a tank that was classified as hazardous waste and cleaned on-site?

No

Does your facility generate in any single calendar month 1,000 kilograms (kg) (2,200 pounds) or more of RCRA (federally-regulated) hazardous waste, or generate in any single calendar month greater than 1 kg (2.2 pounds) of RCRA acute hazardous waste; or generate more than 100 kg (220 pounds) of spill cleanup materials contaminated with RCRA acute hazardous waste. Do not check this if you only generate non-RCRA waste.

No

If yes, an EPA Identification Number (EPA ID) is required, Biennial Report ([EPA Form 8700-13A/B](#)) must be filed, and RCRA Large Quantity Generator requirements must be satisfied.

Is your facility a Household Hazardous Waste (HHW) Collection site?

No

Your facility is subject to financial assurance. I.e. If you are a PBR/CA

## Financial Assurance-Basic

- Financial assurance certification [67450.13]
  - Closure cost estimate per unit [67450.13(b)(1)(A)]
  - Financial assurance mechanism requirements [67450.13(b)(1)(B)]
  - Name and location of financial institution [67450.13(b)(1)(C)]
  - Effective date of the closure assurance for each unit [67450.13(b)(1)(D)]



### Hazardous Materials

Does your facility have on site (for any purpose) at any one time, hazardous materials at or above 55 gallons for liquids, 500 pounds for solids, or 200

## Tiered Permitting

DRAFT Jan. 19, 2024

Submit

Tiered Permitting: Facility

Ready to Submit

Edit

Discard

Units  Not required for Conditionally Exempt Commercial Laundry Facilities (CE-CL)

Tiered Permitting: Unit PBR - Metal Precipitation (ID: 001)

Ready to Submit

Edit

Discard

Tiered Permitting: Unit CA - CA Unit (ID: 002)

Review Needed

Edit

Discard

Tiered Permitting: Plot Plan/Map



New

Tiered Permitting Unit: Prior Enforcement History



New

Tiered Permitting Unit: Tank and Container Certification



New

Tiered Permitting Unit: Local Agency Notification



New

Tiered Permitting Unit: Property Owner Notification



New

Financial Assurance  Required for Facilities with PBR and CA Units Only

Tiered Permitting Unit: Financial Assurance Certification - Mechanism Type: (Unknown)

Review Needed

Edit

Discard

Tiered Permitting: Estimate of Closure Costs



New

Tiered Permitting: Financial Assurance Closure Mechanism



New

Does your facility generate in any single calendar month 1,000 kilograms (kg) (2,200 pounds) or more of RCRA (federally-regulated) hazardous waste, or generate in any single calendar month greater than 1 kg (2.2 pounds) of RCRA acute hazardous waste; or generate more than 100 kg (220 pounds) of spill cleanup materials contaminated with RCRA acute hazardous waste. Do not check this if you only generate non-RCRA waste.

No

If yes, an EPA Identification Number (EPA ID) is required, Biennial Report (EPA Form 8700-13A/B) must be filed, and RCRA Large Quantity Generator requirements must be satisfied.



## Financial Assurance-Basic

### Financial Assurance Not Required

- Business that don't treat HW
- Federal and State site are not subject to financial assurance (city and county are subject to it)
- PBR/CA facilities operating <30 days in calendar year
- Closure cost estimate <\$10,000
- CE are not required



Save

Cancel

**Type of Operation / Unit Type**

Type of Operation / Unit Type

 PBR-FTU  CA**Estimated Closure Costs**

Estimated Closure Costs



Estimate must be accompanied by a written  
*Estimate of Closure Costs* download.

**Exemption from Financial Assurance Requirements**

1. I am not required to provide a mechanism because:

a.  I certify that my closure cost estimate is less than or equal to \$10,000, orb.  Exemption From Financial Assurance - Other2.  Exemption From Financial Assurance - <30 Days Per Year**Closure Financial Assurance Mechanism**

Closure Assurance Mechanism Type

- Closure Trust Fund
- Surety Bond
- Closure Letter of Credit
- Closure Insurance
- Financial Test and Corporate Guarantee
- Alternative Mechanism
- Multiple Financial Mechanisms

Effective Date



Mechanism ID Number(s)

Financial Institution, Insurance or Surety Company / Other Organization

Financial Institution Or Surety Address

Financial Institution Or Surety City

State

Zip Code

Financial Institution Or Surety Country

United States

For International Address

## Poll Question 5

If facility is claiming \$10,000 exemption, is this for the closure of:

- A. Closure cost for all the units?
- B. Closure cost for every unit?



## Poll Question 5

If facility is claiming \$10,000 exemption, is this for the closure of:

- A. Total closure cost estimate less than or equal to \$10,000.  
Closure cost for all the units?
- B. Closure cost for every unit?



## Estimated Closure Costs Calculator




take into account any salvage value that may be realized from the sale of wastes, facility structure or equipment, land or other facility assets. Following is a model closure cost estimate:

ACTIVITY	COST
1. Removal, treatment (on-site or off-site), or disposal of waste inventories	200.00
2. Removal and disposal of soil	5000.00
3. Decontamination of equipment and structure	2222.00
4. Demolition and removal of containment system components or structure	5222.00
5. Transportation	8522.00
6. Sampling and analysis of waste, soil, equipment, and structure	1100.00
7. Certification or other demonstration of closure ("clean" closure or specified level of decontamination)	1200.00
8. Other expenses (specify)	
	\$23466.00

**NOTE:** For PBR only, if you have operated under PBR for less than 30 days in any calendar year, you qualify for an exemption.

Done


Cancel

 [Tiered Permitting Unit: Financial Assurance Certification - Mechanism Type: \(Unknown\)](#) 


 [Review Needed](#)




Edit Discard

+ [Tiered Permitting: Estimate of Closure Costs](#)

 New

+ [Tiered Permitting: Financial Assurance Closure Mechanism](#)

 New

 [Discard Draft Submittal](#)  [Miscellaneous State-Required Documents](#)  [Add Comment To Regulator](#)

### Tiered Permitting: Written Estimate of Closure Costs

If your estimated closure costs exceed \$10,000, your submittal must include a written closure cost estimate. Any change in information affecting the closure cost estimate or mechanism must be submitted within 30 days to your CUPA or authorized agency. Refer to 22 CCR §67450.13 for financial assurance requirements.

To upload a document, select the **Browse** button and then the file on your computer to upload, provide a document title, and then select **Save & Finish** to complete the upload. Use of other document options shown on the left must be approved by your local regulator.

#### Document Options

- Upload Document(s)
- Public Internet URL
- Provided Elsewhere in CERS
- Provided to Regulator
- Stored at Facility
- Exempt

#### Exempt

Select this option if you feel you are exempt from this document upload requirement. Provide a short explanation of why you feel you are exempt in the space provided below. If the regulatory agency does not approve of the document exemption, the submittal element will be rejected.

Explanation of Why your Facility is Exempt

Save

Cancel

# Financial Assurance-Basic

## Closure Cost

- Provide estimate cost incurred for closing each unit.
- If there is a change in closure cost-it should be updated within 30 days.
- Closure cost should coincide with closure plan BUT...hmm..closure plan is not required to be submitted into CERS???
- Adjust the closure cost estimate for inflation by March 1<sup>st</sup> of each year



## Financial Assurance-Basic

- Estimated closure cost
  - Removal of waste
  - Decontamination of tank
  - Demolition/removal of debris
  - Disposal of equipment/containment system
  - Labor
  - Sampling, possible contamination removal soil
  - Cost of hiring PE
  - Etc.





## Financial Assurance-Basic

- Actual closure cost can offset the initial estimated closure cost by subtracting..
  - Salvage value of equipment
  - Value of waste
  - Facility structure/**Land**
  - Labor rate using own employee and equipment



## Financial Assurance-Basic

- Ensure that-
  - Closure cost estimate are updated from last year
  - Estimated are adjusted for inflation



## Financial Assurance-Basic

Closure cost estimate-How is it calculated?

Go to—Bureau of Economic Analysis

- [www.bea.com](http://www.bea.com)
- → Look for table 1.1.9
- → Look for implicit price deflator
- → Look at price deflator for previous 2 years ending in Q3 and divide them up.



**Table 1.1.9. Implicit Price Deflators for Gross Domestic Product**

[Index numbers, 2017=100] Seasonally adjusted

Last Revised on: November 29, 2023 - Next Release Date December 21, 2023

Line	2021		2021		2022		2022		2023		2023	
	Q1	Q2	Q3	Q4	Q1	Q2	Q3	Q4	Q1	Q2	Q3	
1	Gross domestic product											
2	Personal consumption expenditures											
3	Goods											
4	Durable goods											
5	Nondurable goods											
6	Services											
7	Gross private domestic investment											
8	Fixed investment											
9	Nonresidential											
10	Structures											
11	Equipment											
12	Intellectual property products											
13	Residential											
14	Change in private inventories											
15	Net exports of goods and services											
16	Exports											
17	Goods											
18	Services											
19	Imports											
20	Goods											
21	Services											
22	Government consumption expenditures and gross investment											
23	Federal											
24	National defense											
25	Nondefense											
26	State and local											
27	Addendum:											
27	Gross national product											

## Financial Assurance-Basic

- The number was derived by dividing:
  - 2023 Q3      122.735    = 1.032
  - 2022 Q3      118.872
- 
- Implicit Price Deflators for GGNP published on November 29. IPD for GDP gets revised monthly. But we usually stick with the one close to December.



## Financial Assurance-Basic

- My closure cost > \$10,000 and I don't qualify for any other exemption!
- To ensure adequate resources or funds are available to close a unit, we must:
  - Set aside funds equal or greater to estimated cost
  - Guarantee from third party
  - Demonstrate the financial ability to cover the closure cost



## Financial Assurance-Basic

### Types of Financial Assurances Mechanisms

- Trust Funds
- Surety Bonds
- Letter of Credit
- Insurance
- Financial Test & Corporate Guarantee
- Alternative Financial Mechanism
- Multiple financial mechanism

- USE 22-CCR-66264.151  
for exact wording
- USE 22-CCR-66265.143  
for details
- ENSURE THE BENEFICIARY IS THE  
CUPA NOT DTSC
- Original to be sent to CUPA not DTSC



## Financial Assurance-Basic

- Trust Funds-Form 1154
  - Owner/operator (grantor) deposits money into banks, savings and loans, credit union (trustee) and enter a contract (trust agreement)
  - Pay-in period – deposit can be made for period up to 5 years or life of the facility-whichever is shorter
  - Must have money equal to facilities closure cost estimate





## Financial Assurance-Basic

### Surety Bonds-Use form 1155, 1156

- 3 party agreement CUPA (oblige) ---Owner(principal)---Surety company
- Surety company guarantees CUPA, that they will pay for the closure if owner is not able to.
- 2 types of surety bonds-
  - **Financial guarantee bonds- can be used with PBR/CA**
  - *Performance bonds-can NOT be used with PBR/CA*



## Financial Assurance-Basic

### Financial Test & Corporate Guarantee (66265.143(e))

- A corporation can demonstrate it has sufficient resources to provide for closure cost.
  - Letter from CFO
  - Copy from Independent auditor with
    - Most recent financial statement
    - Special report from independent auditor
  - Corporation must have \$10mil in tangible net worth (90% in usa)
  - Must meet-
    - Financial ratio test or investment grade from “moody’s”



## Financial Assurance-Basic

### Letter Of Credit-1157

- Guarantee made by financial institution stating if owner does not meet its closure obligation the beneficiary (CUPA) may get money.
- **Must be “Irrevocable” (renewed annually until cancelled)**
- Think of letter of credit like a line of credit.



## Financial Assurance-Basic

### Closure Insurance –DTSC Form 1158

- An insurance company guarantees performance of closure to the CUPA
  - Risk Transfer-Like insurance, policy holder makes payment and hope a claim is never needed to be made by the CUPA
  - Full funded-presumes claim will be made sometimes in the future
- Insurance company must be underwritten by a company that is authorized to write insurance in one or more of the 50 states
- Submit to the CUPA annually



## Financial Assurance-Basic

### Alternative Financial Mechanism

- Owner proposes alternative financial mechanism for acceptance by CUPA.
- CUPA may consider Amt. of funds, availability of funds, restriction on access.
- Owner to submit a letter requesting that proposed mechanism be acceptable



## Financial Assurance-Basic

### Multiple Financial Mechanism

- Combination of the mechanisms mentioned above as opposed to any one mechanism.
- Combination must cover the closure cost estimate
- Designate one as “primary” other as “excess”



## Tiered Permitting: Facility

Ready to Submit Edit Discard

### + Units Add Unit Not required for Conditionally Exempt Commercial Laundry Facilities (CE-CL)

[Tiered Permitting: Unit PBR - Metal Precipitation \(ID: 001\)](#)

Ready to Submit Edit Discard

[Tiered Permitting: Unit CA - CA Unit \(ID: 002\)](#)

[Review Needed](#) Edit Discard

+ [Tiered Permitting: Plot Plan/Map](#)

New

+ [Tiered Permitting Unit: Prior Enforcement History](#)

New

+ [Tiered Permitting Unit: Tank and Container Certification](#)

New

+ [Tiered Permitting Unit: Local Agency Notification](#)

New

+ [Tiered Permitting Unit: Property Owner Notification](#)

New

### + Financial Assurance Add Certification Required for Facilities with PBR and CA Units Only

[Tiered Permitting Unit: Financial Assurance Certification - Mechanism Type: \(Unknown\)](#)

[Review Needed](#) Edit Discard

+ [Tiered Permitting: Estimate of Closure Costs](#)

New

+ [Tiered Permitting: Financial Assurance Closure Mechanism](#)

New

## Financial Assurance-Basic

- Financial assurance certification [67450.2(b)(3)(D) ?  
67450.13]
  - ~~Closure cost estimate per unit [67450.13(b)(1)(A)]~~
  - ~~Original document used to satisfy financial assurance mechanism requirements [67450.13(b)(1)(B)]~~
  - Name and location of financial institution [67450.13(b)(1)(C)]
  - Effective date of the closure assurance for each unit [67450.13(b)(1)(D)]





mainin

1. To fill out if you do not qualify for exemption.
2. Sign the bottom

### Closure Financial Assurance Mechanism

Closure Assurance Mechanism Type

- Closure Trust Fund
- Surety Bond
- Closure Letter of Credit
- Closure Insurance
- Financial Test and Corporate Guarantee
- Alternative Mechanism
- Multiple Financial Mechanisms
- Certificate of Deposit
- Savings Account

Effective Date

Mechanism ID Number(s)

Financial Institution, Insurance or Surety Company / Other Organization

Financial Institution Or Surety Address

Financial Institution Or Surety City

State

Zip Code

Financial Institution Or Surety Country

[For International Address](#)

### Owner or Operator Certification

I certify under penalty of law that this document and all attachments were prepared under my direction or supervision in accordance with a system designed to assure that qualified personnel properly gather and evaluate the information submitted. Based on my inquiry of the person or persons who manage the system, or those directly responsible for gathering the information, the information is, to the best of my knowledge and belief, true, accurate and complete. I am aware that there are significant penalties for submitting false information, including the possibility of fines and imprisonment for knowing violations. (22 CCR §66270.11)

Owner/Operator Name

Owner/Operator Title

Date Certified

Signer Of Certification

- Owner
- Operator

- Release of Financial Assurance requirement-
  - Within 60 days after receiving certification from operator/owner with PE Certified stating final closure has been completed accordance with closure plan, CUPA shall notify in writing that the owner/operator no longer required to maintain financial assurance or provide detail written statement why CUPA believes the closure has not been conducted accordance with standard.



## Training

Build: 3.09.0013

Save

Cancel

### Permit Status (Check all that apply)

- Facility Permit
- Interim Status
- Standardized Permit
- Variance
- Consent Agreement

### Number of Units at Facility

#	Unit Type / Tier	
0	Conditionally Exempt – Small Quantity Treatment (CESQT)	With the exception of CE-CL Units, the Number of Units for this facility are automatically calculated based on each populated Unit Page. Filling out the appropriate Unit Pages for this Facility will automatically update these numbers.
0	Conditionally Exempt Specified Wastestream (CESW)	
0	Conditionally Authorized (CA)	
0	Permit by Rule (PBR)	
0	Conditionally Exempt – Limited (CEL)	
<input type="text"/>	Number of CE-CL Units	
0	<b>TOTAL UNITS</b>	

### Certification

Waste Minimization I certify that I have a program in place to reduce the volume, quantity and toxicity of waste generated to the degree I have determined to be economically practicable and that I have selected the practicable method of treatment, storage, or disposal currently available to me which minimizes the present and future threat to human health and the environment.

Tiered Permitting Certification I certify that the unit or units described in these documents meet the eligibility and operating requirements of state statutes and regulations for the indicated permitting tier, including generator and secondary containment requirements. I certify under penalty of law that this document and all attachments were prepared under my direction or supervision in accordance with a system designed to assure that qualified personnel properly gather and evaluate the information submitted. Based on my inquiry of the person or persons who manage the system, or those directly responsible for gathering the information, the information is, to the best of my knowledge and belief, true, accurate, and complete.

I am aware that there are substantial penalties for submitting false information, including the possibility of fines and imprisonment for knowing violations.

Owner/Operator Name

Malay Trivedi

Request for Shortened Review Period (CE and CA only)

Yes  No

Owner/Operator Title

CEO

Date Certified

1/19/2024

Save

Cancel

## Also certifying- Paraphrasing..

1. Program in place to reduce the volume, quantity and toxicity of waste generated.
2. Units meet the eligibility for the indicated tier, qualified personnel submitted the information is, to the best of my knowledge and belief, true, accurate, and complete

## TIER PERMITTING SUBMITTAL CONCERS

- Time Frames:
  - Notifications to be submitted 60 days prior to initial treatment activities [67450.2(b)(2)]
  - Within 45 calendar days of receipt of notification, the CUPA shall acknowledge in writing the authorization, denial of authorization or the notify the operator of deficiencies [67450.3(b)(4)]



## TIER PERMITTING SUBMITTAL ONCERS

# Administratively Complete

- This Department has received the completed annual Permit by Rule (PBR) notification for this facility. Your notification is administratively complete but has not been reviewed for technical adequacy. A technical review of your notification will be conducted when a representative of this Department performs an onsite inspection. Pursuant to Title 22, California Code of Regulations (CCR), Section 67450.3(d), you are hereby reauthorized to operate the PBR unit(s) identified in this notification from March 15, 2024 to March 14, 2025.*





# Any unanswered Questions?

Contact-Malay Trivedi, Los Angeles County Fire Dept.

[Malay.Trivedi@fire.lacounty.gov](mailto:Malay.Trivedi@fire.lacounty.gov)



26th California Unified Program  
Annual Training Conference  
February 26-29, 2024